

The Rinnai logo is displayed in white, bold, sans-serif font on a red rectangular background. The background of the entire top half of the page is a close-up, high-speed photograph of water splashing, creating a dynamic and textured blue and white scene.

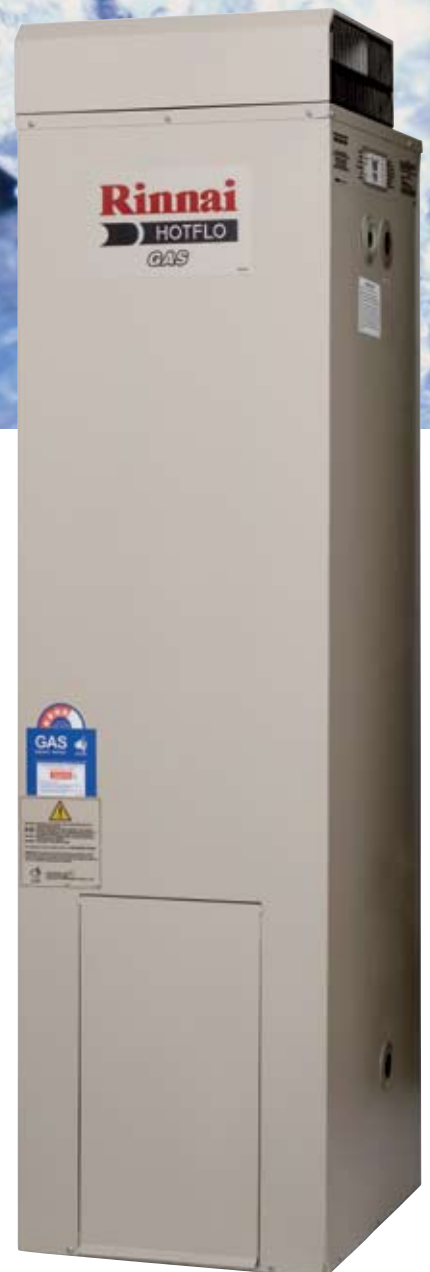
Rinnai HOTFLO Gas Storage Hot Water Systems

Introducing the new Rinnai HOTFLO range of Gas Storage Hot Water Systems.

At Rinnai, we draw on years of experience in providing the best in hot water for Australian families. Our quality range of Gas Storage Hot Water Systems can recover water back to full temperature at a fast rate, reducing the need for larger capacity systems. The 4 Star, high efficiency energy rating, reducing your running costs!

Benefits at a glance:

- Fast recovery time
- Efficient 4 Star energy rating
- Quick, easy no fuss installation
- Can be installed with left or right handed coupling
- Available in 2 standard sizes, perfect for emergency changeover getting you back up and running fast
- Rinnai quality and durability



Experience Our Innovation

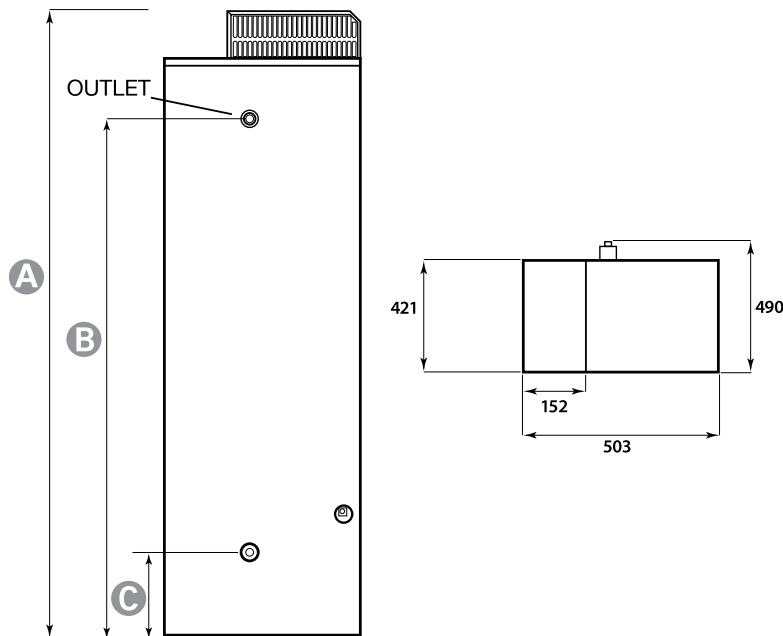
Specifications ⁽¹⁾

Model	RIN135	RIN170
Tank Capacity (L)	135	170
Weight Empty (Kg)	72	86
Relief Valve Pressure (kPa)	1400	1400
Water Capacity in First Hour* (L)	270	305

*Temperature rise at 45°C and inlet temperature of 15°C using Natural Gas

Dimensions ⁽²⁾

Dimensions		RIN135	RIN170
Height	A	1601	1896
Hot Water Outlet	B	1327	1620
Cold Water Inlet	C	221	221



Warranty ⁽³⁾

Hotflo Gas	Tank Size	
	135 Litres	170 Litres
Parts & Labour	1 year	1 year
Tank	7 years	7 years

Please note: (1) Rinnai Australia reserves the right to make modifications and change specifications without notice. However, we will endeavour to communicate major changes well before implementation. (2) For installation clearances refer to the owners manual. Dimensions are subject to production tolerances and may vary slightly from those given. (3) For full definitions of Domestic and Commercial use along with the full warranty conditions and exclusions, please refer to the owners manual.



RINNAI AUSTRALIA PTY. LTD

ABN 74 005 138 769

10-11 Walker Street Braeside VIC 3195

For further information visit

www.rinnai.com.au or call 1300 555 545