



# MIRAGE

FREESTANDING GAS FIRE

MIRAGE 18 IN BLACK

	ESPRIT	MIRAGE
Remote Control	Standard	Standard
Flame Settings	6	6
Flame only mode	Yes	Yes
Fan Settings	6	6
Manual Override	Yes	Yes
Thermostat	Yes	Yes
Firebox lights	Yes	No
Fuel Bed Options	Logset / Glass / Stone	Log / Glass
Flue Style	Direct Vent	Direct Vent
Top Flue	Yes	Yes
Rear Flue	No*	Yes
Gas Type	NG / LPG	NG / LPG
Input	31.7MJ	19MJ
Output	8.9kW / 93m <sup>2</sup>	5.6kW / 56m <sup>2</sup>
Warranty	2 Year Comprehensive / 10 Year Limited	

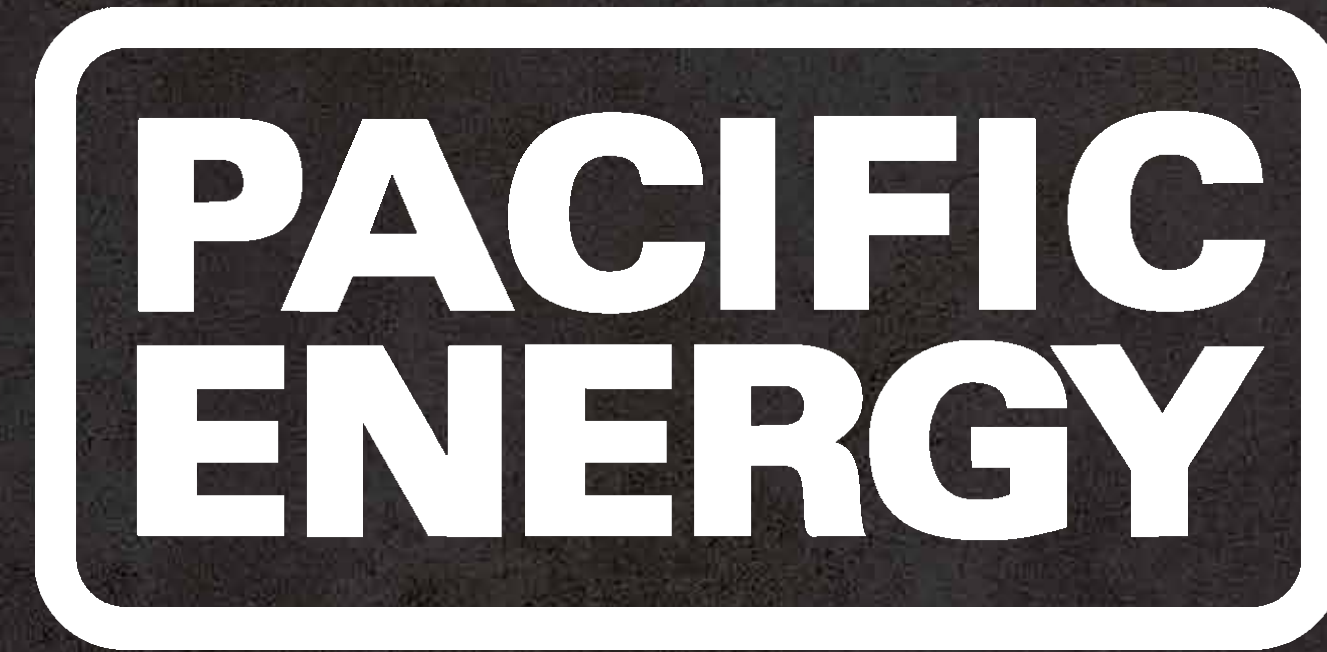
\*can rear flue with additional elbow

Proudly distributed by Pivot Stove & Heating Australia  
 For more information and current product updates,  
[pivotstove.com.au](http://pivotstove.com.au)



Pacific Energy Fireplace Products Ltd proudly supports the activities of Landcare Australia through its membership of the AHHA

\*all products subject to change without warning  
 Due to the limitations of the printing process, it is not possible to replicate colours exactly in a print format.  
 Please check with your local Pacific Energy retailer for colour samples.



**FIREPLACES & STOVES**

**GAS RANGE**

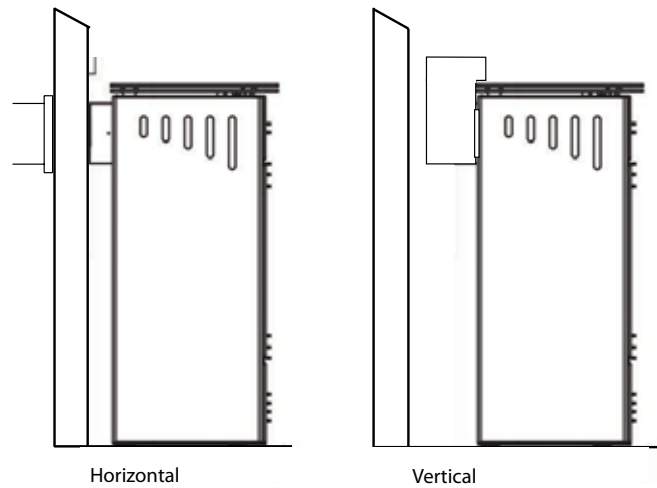


# ESPRIT

LINEAR GAS FIREPLACE

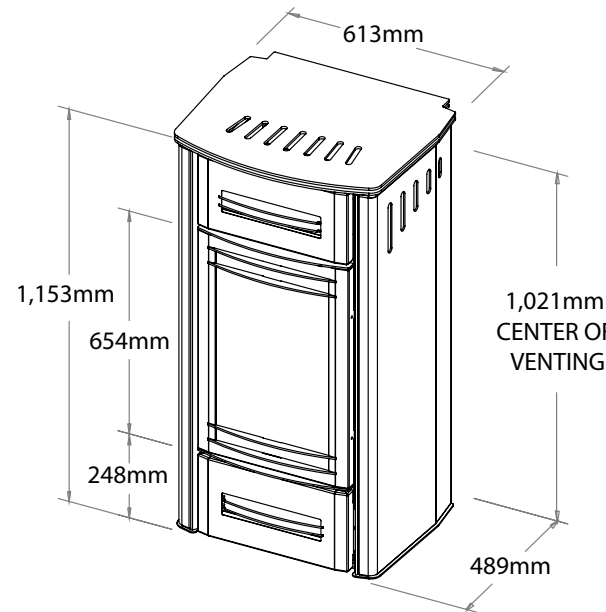
ESPRIT WITH BLACK CONTEMPORARY FASCIA

FLUE OPTIONS

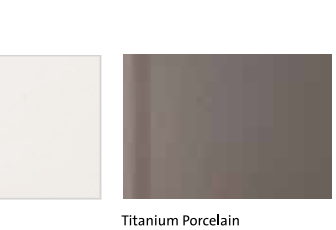
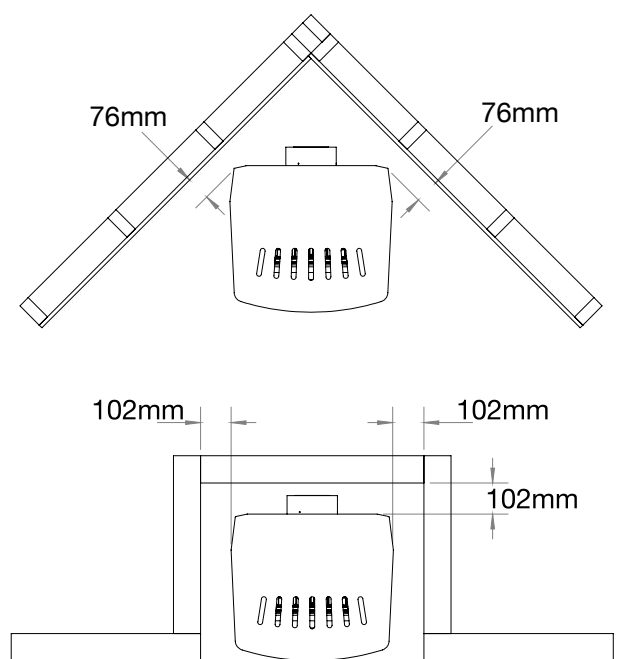


Horizontal Vertical

\*No hearth required. The Mirage can be installed onto timber flooring  
UNIT DIMENSIONS



CLEARANCE TO COMBUSTIBLES



Black Porcelain Red Porcelain Ivory Porcelain Titanium Porcelain

MEDIA OPTIONS



Logset Glass Burner

# MIRAGE

FREESTANDING GAS FIRE

HEAT OUTPUT **56M<sup>2</sup>**  
NG / LPG  
EFFICIENCY **66%**

#Information for reference only.  
Installations should be based on  
manuals and rating labels.  
Specifications subject to change.

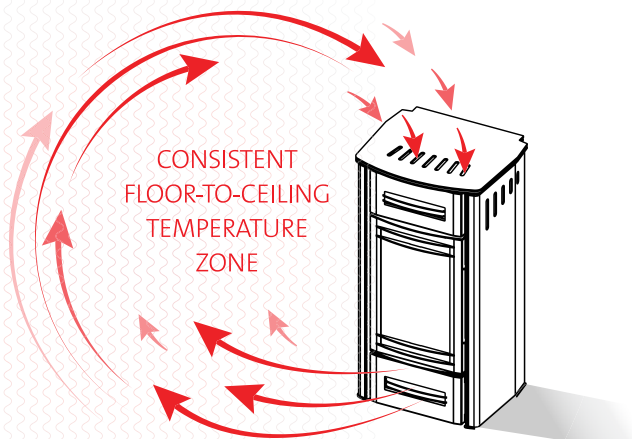


\*No hearth required on timber flooring

The Mirage represents the leading edge of freestanding design for small to medium spaces. The Mirage is beautifully clad with lustrous porcelain enamel offered in four solid colours: red, ivory, black and titanium. Inside each Mirage is a powerful engine; large formed finned heat exchangers result in high performance heating efficiency while highly reflective titanium porcelain baffles and insulated interior firebox panels maximise temperature convection. One touch programmable remote controls simplify operation, heat output and flame height are variable allowing complete control over heating, comfort, and appearance.

**ABSOLUTE COMFORT WITH FLOOR-LEVEL HEAT OUTPUT**

We all know hot air rises; so it makes sense to force hot air from the bottom rather than the top like conventional systems do. Thanks to the Mirage's unique floor level heat output system, you can maintain an ideal temperature from floor to ceiling. Fit for small to medium homes; define heating your living space with easy-to-use, high efficiency, contemporary elegance.



**SAFETY**

When designing any heat source, safety is always at the forefront. At Pacific Energy, we believe that with today's advanced technologies and materials, there's no need to compromise aesthetics for safety. That is why we've developed an integrated micromesh screen that creates a virtually invisible safety barrier, allowing a clear, unobstructed view of the flame as a standard feature for each model – we would show you, but even the camera can't see it!



**SIMPLE TOUCH OPERATION AND TEMPERATE MANAGEMENT**

Each Pacific Energy Gas Fireplace comes standard with an advanced comfort remote control. Using Smart thermostat, your fireplace can automatically modulate flame height to optimise temperature management and room ambiance.



The Esprit linear gas fireplace offers Pacific Energy's highest level of quality, technical innovation, and engineering in a modern landscape. For maximum heat and ultimate energy efficiency, the Esprit utilises large formed steel heat exchangers and standard one touch programmable remote controls to provide quick, easy control over heat and added energy savings. Even at the lowest settings, flames are appealingly rich and full to gently warm the room.

Create a fireplace that uniquely complements your home with Pacific Energy's exclusive Design-A-Fire system. Whether you choose a dramatic landscape of fire over tumbled glass, or the gentle ambiance of a driftwood logset, your new gas fireplace offers an expansive view of flame set against a backdrop of reflective lustrous porcelain enamel liners, designed to enhance the stunning flames.

For nights you just want mood, the Esprit can run in flame only mode, or crank up the 6 speed fan to warm up on those colder nights. The internal lights bring your heater to life without adding extra heat.

**EFFICIENCY**

Behind the legendary performance of Pacific Energy fireplaces lies craftsmanship, experience and next-generation technology. Large, aluminium finned heat exchangers maximise heat convection, highly reflective titanium baffles radiate heat and optional dealer-installed fans distribute heat throughout your living space. Heat output and flame are variable, allowing complete control of heating, comfort, and appearance.

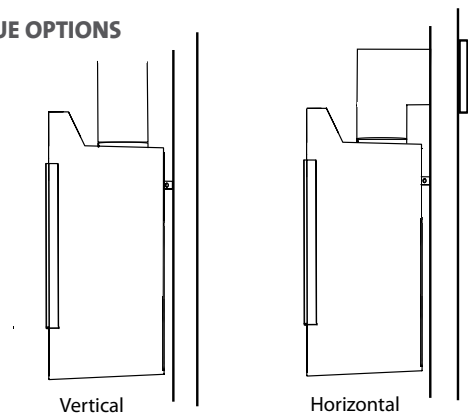


# ESPRIT

LINEAR GAS FIREPLACE

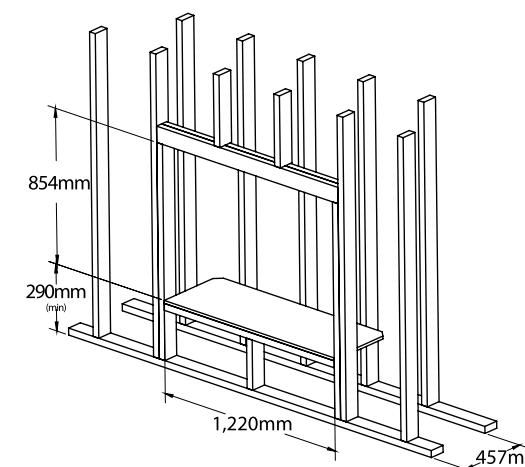
HEAT OUTPUT **93M<sup>2</sup> / 80M<sup>2</sup>**  
NG / LPG  
EFFICIENCY **67.5%**

FLUE OPTIONS



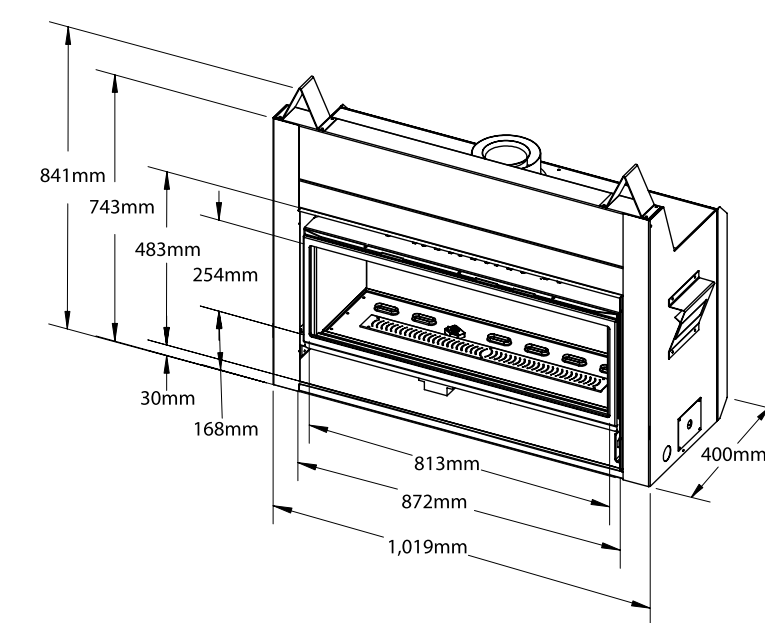
Vertical Horizontal

FRAMING DIMENSIONS



\*12mm non-combustible material must be used for facing wall

UNIT DIMENSIONS



SURROUND OPTIONS



Straight Edge



Contemporary Surround Matte Black Front Contemporary Surround Stainless Steel Front

Stainless Steel Matte Black

MEDIA OPTIONS



Driftwood Logset



Glass Burner



Want more? Add Stones to your Glass media