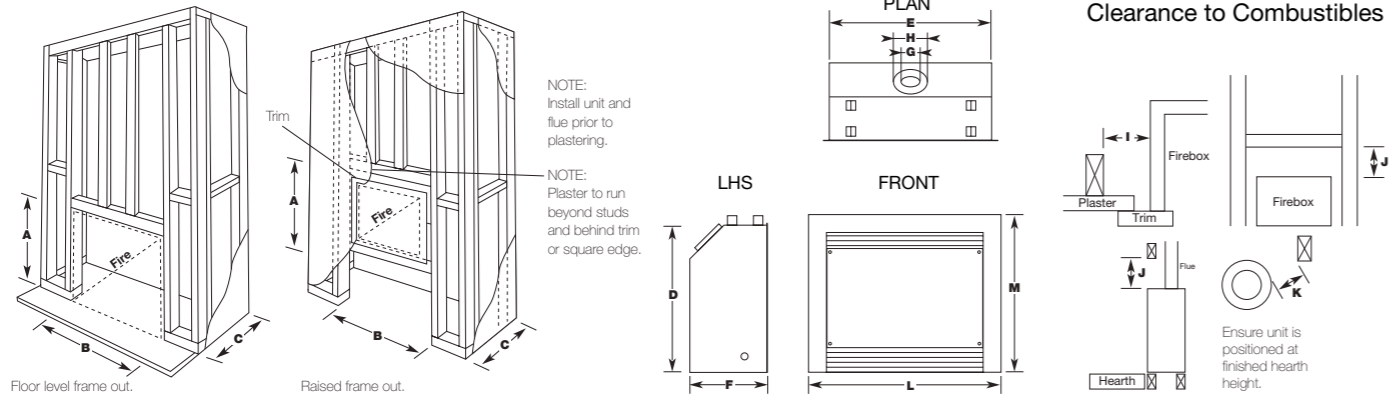
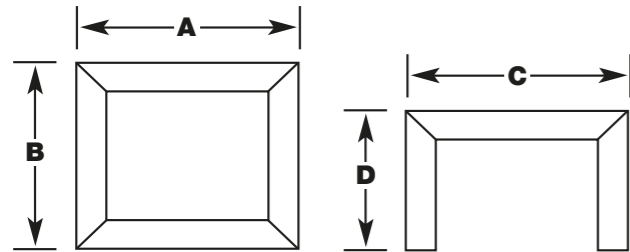


CAPTIVA



	A	B	C	D	E	F	G	H	I	J	K	L	M	NG Mj/h	LP Mj/h	KW OUTPUT	STAR RATING	GPO REQ'D	VENTILATION
600	890	690	475	785	580	380	100	180	50	100	50	790	840	26	26	5.89	4.50	YES	NOT REQUIRED
900	890	970	475	780	860	410	100	180	50	100	50	1020	840	30	30	6.93	4.06	YES	NOT REQUIRED



	A	B	C	D
CAPTIVA 600	790	930	790	840
CAPTIVA 900	1020	930	1020	840

All measurements in millimetres (mm)



Head Office, Factory and Showroom:

Scoresby VIC
1340 Ferntree Gully Road
T 03 8706 2000
F 03 8706 2001

Free on site advisory service
www.realflame.com.au

Richmond VIC
300 Swan Street
T 03 9428 4443

Dandenong Sth VIC
3/328 Sth Gippsland Hwy
T 03 9702 7853

Geelong VIC
2a Gordon Avenue
T 03 5229 0844

Chatswood NSW
546 Pacific Highway
T 02 8905 0189

Miranda NSW
36 Kareena Road
T 02 8513 6202

Norwood SA
173 Magill Road
T 08 8132 0371

Osborne Park WA
47-53 McDonald Street
T 08 9444 9900

Milton QLD
46 Douglas Street
T 07 3368 2011

Fyshwick ACT
88 Wollongong Street
T 02 6280 5522

Ulverstone TAS
31a Victoria Street
T 03 6425 4440

Warranty: Provided your Real Flame Gas Fire is installed by a licensed Gas Fitter in accordance with our installation instructions and any other relevant codes and operated in accordance with our operating manual, your firebox is warranted for a period of 15 years and all other parts for 2 years from date of purchase. Refer to our web site or our IOM's for a comprehensive warranty.

Available from:

A professional resource and buyers guide

Captiva



V001

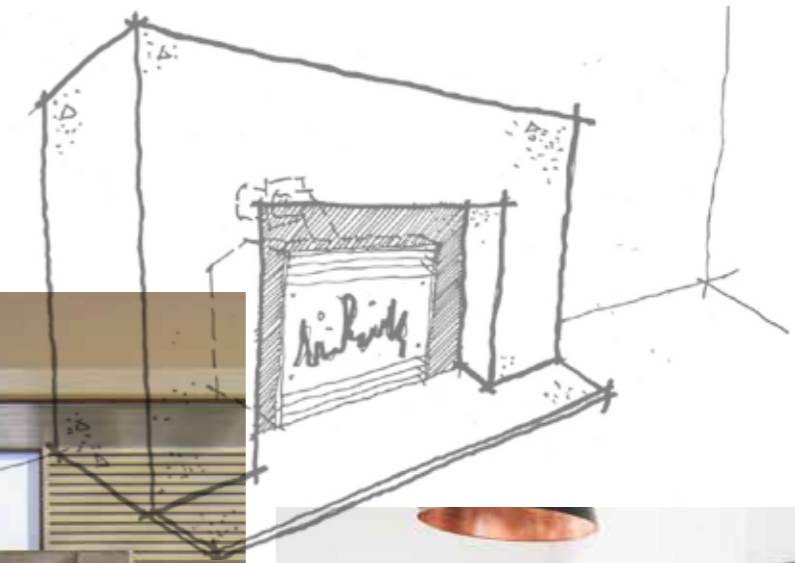
www.realflame.com.au

CAPTIVA

600 | 900

ELEGANT AND EFFICIENT

Our Captiva 600 and 900 high-efficiency glass fronted fireplaces provide an impressive large-scale fire with exceptional heating capacities. Thanks to its balanced flue direct vent technology, this is an ideal fireplace for large rooms or situations where conventional flue methods are not possible. The Captiva is one of the most efficient gas fireplaces on the market. It is both a practical and stunning heating solution for any home.



- 🔥 Balanced flue
- 🔥 New application
- 🔥 Natural gas or LPG
- 🔥 Up to 4.5 star efficiency
- 🔥 Full remote control function
- 🔥 Pebbles or Coals and Logs
- 🔥 Traditional or contemporary
- 🔥 Double glazed space heater
- 🔥 600 heats up to 85m² and 900 heats up to 100m²
- 🔥 Conceived, designed, researched, developed and built in Australia

