



Australia's favourite  
name in hot water



Rheem Domestic Hot Water

February 2018

COMES ON STEADY, HOT AND STRONG

INSTALL A



## CONTENTS

4. Rheem Electric Storage Hot Water
6. Rheem Gas Storage Hot Water
8. Rheem Continuous Flow Gas Hot Water
10. Rheem Solar Hot Water
12. Rheem Heat Pump Hot Water
14. Product Data

### Rheem Australia Pty Ltd

ABN 21 098 823 511

#### Head Office

1 Alan Street  
Rydalmere NSW 2116  
Australia

PO Box 7508  
Silverwater NSW 2128  
Australia

**National Sales Phone: 132 552**

**National Service Phone: 131 031**

[www.rheem.com.au](http://www.rheem.com.au)

© Registered Trademark of Rheem Australia Pty Ltd  
TM Trademark of Rheem Australia Pty Ltd

# RHEEM IS AUSTRALIA'S FAVOURITE NAME IN HOT WATER AND THE NAME AUSTRALIANS HAVE TRUSTED FOR GENERATIONS

## YOU'LL BE RIGHT WITH RHEEM

No.1 with Australian families. Rheem is Australia's favourite hot water system... and it's been that way since 1939, when Rheem started making water heaters in Australia. Generations of Australian families have relied on Rheem for water that comes on steady, hot and strong!

## RHEEM IS EVERYWHERE

There is an unequalled network of experienced Rheem service agents across the country. No matter where you are in Australia there is expert advice available to ensure that you get the Rheem solution that is right for you.

## WE HAVE THE RIGHT RHEEM FOR YOU

Rheem has the most extensive range of hot water systems available in Australia. Solar, gas or electric storage. Continuous flow or heat pump. Energy efficient and stainless steel options. Rheem has a range of capacities to suit your requirements and your budget.

Solar, gas or electric.  
Continuous flow, heat pump  
or storage. Rheem has a  
range of hot water solutions  
for every situation.



## CHOOSING THE RIGHT CAPACITY RHEEM FOR YOUR HOME

Many households change over time, so it's important to choose the right capacity to meet your needs both now and as your family grows.

### Factors to consider in determining your hot water needs:

- Number of bathrooms or people using hot water at the same time.
- Adults and children in the home (teenagers will use more hot water than young children).
- Dishwashers or washing machines connected to hot water outlets, that may use hot water at the same time.
- Will a large bathtub or spa-bath be used regularly?
- Space available to install a water heater
- Available energy supplies - gas or electricity

Your hot water system needs will be influenced by the water conditions, climate and water pressure in your region, as well as the available energy supply (gas or electricity) and space available at your home.

# RHEEM ELECTRIC STORAGE HOT WATER



## MAINS PRESSURE HOT WATER

Rheem electric storage water heaters store hot water in the tank ready for immediate use. These products rely on an electric element(s), which is controlled by a thermostat, to heat water.

Larger model Rheem electric water heaters are ideal for use with low cost off-peak electricity, and are available in a range of capacities to suit most needs.

The mains pressure advantage ensures full pressure to multiple outlets all at the same time.

Electric storage systems are a relatively inexpensive and reliable solution to your hot water needs.

### WHY RHEEM ELECTRIC STORAGE?

**Designed for Australia's tough conditions**, using over 75 years of experience manufacturing in Australia.

**Includes models suitable for connection to economical 'off peak', 'time of use' or continuous electricity tariffs.**

**Sizes to suit every family** and hot water requirement from 25L to 400L.

**Mains Pressure** water delivery for steady, hot and strong hot water.

**Indoor or outdoor use** (excludes plug-in models)

**Full technical support and spare parts available** through Rheem's National Service Network.

**7 or 12 year cylinder warranty** models available.<sup>1,2,3</sup>

**All Rheem** electric water heaters are made in a wholly owned and operated Rheem facility.

### OFF-PEAK OR CONTINUOUS ELECTRICITY?

**Off-peak** tariffs offer lower cost electricity that is only available during specific times, typically during the night or outside peak usage periods. These tariffs normally reserved for larger water heater models that provide enough stored hot water for daily use. Generally, two types of off peak tariffs are available.

8 Hour night rate – 250L - 400L (lowest rate available) and 16 hour 'extended' rate – 160L - 400L

**'Time of Use'** (TOU) tariffs provide power to the water heater 24 hours per day, but different rates apply at different times of day i.e. rates are higher for using electricity during peak hours, and less for electricity used during the 'Shoulder period' and overnight. Water heaters connected to TOU tariff should use a timer ensuring operation during the lowest cost heating periods.

**Continuous** tariff electricity makes power available to heat the water 24 hours per day. A smaller tank can often be used on this tariff but the running costs will be higher. The price is typically a flat rate.

Compare various water heater running costs online at [www.rheem.com.au/RunningCostCalculator](http://www.rheem.com.au/RunningCostCalculator) or speak to your energy retailer for tariff details.

Model (Litres) Single Element	PPH* - Off peak tariff	PPH* - Continuous/ Time of use tariff***
25	-	-
50	-	1
80	-	1-2
125	-	2-3
160	-	2-4
250	1-3	3-5
315	2-4	4-6
400	4-6	5-9
Model (Litres) Twin Element	PPH* - Off peak tariff	PPH* - Continuous/ Time of use tariff***
160	1-3	2-4
250	2-3	3-5
315	3-4	4-6
400	4-7	5-9

\* People per household

\*\*\* PPH supplied under 'Time of use' tariff conditions is equivalent to continuous tariff, provided the power supply is unrestricted.



Model Number:  
4A1 Series

### RHEEM STELLAR® ELECTRIC STAINLESS STEEL

- Available in 50L - 315L models
- Up to 24% better than MEPS<sup>4</sup> reducing energy use, saving you money
- Stainless steel cylinder & water fittings
- Up to 42% lighter<sup>5</sup> for easier handling and installation
- No anode - saves on maintenance costs
- Mains pressure
- Manufactured in Australia
- 12 year cylinder warranty<sup>3</sup>



Model Number:  
491 Series

### NEW RHEEM 491/492 SERIES

- Available in 250L - 400L models
- Easy retrofit - identical footprint & plumbing connections to previous series models
- Dual handed fittings
- Suit lower cost tariffs
- Commercial grade enamel
- Thicker sacrificial anodes
- Twin element models available
- Manufactured in Australia
- 12 year cylinder warranty<sup>2</sup>



Model Number:  
191 Series

### RHEEM 191/192 SERIES<sup>†</sup>

- Available in 25L, 50L, 80L, 125L & 160L capacities
- Dual handed fittings<sup>†</sup>
- Front oriented fittings for easier access
- 25L & 50L models are the smallest in their class
- 7 year cylinder warranty<sup>1</sup>

<sup>†</sup>25L (111025) models have left hand connections only.



Model Number:  
121 Series

### RHEEMPLUS® ELECTRIC

- 50°C pre-tempered model
- Adjustable valve to deliver 50°C at the tap.
- Available in 125L, 160L, 250L & 315L capacities
- Complies with the tempering requirement of AS/NZS 3500.4
- Left hand connection
- Manufactured in Australia
- 7 year cylinder warranty<sup>1</sup>



Model Number:  
191045

### RHEEM COMPACT 45L

- The Most Compact available in the over-40L capacity range
- Just 670mm HIGH (including anode cap)
- Smallest Diameter on the market – 400mm
- 47L Delivery<sup>\*\*</sup>
- Dual Handed – easier to install
- Recessed Plug Fittings
- 7 year cylinder warranty<sup>1</sup>

<sup>\*\*</sup> Rated hot water delivery is 40L in accordance with AS/NZS4692.1. Actual delivery is 47L when tested to AS/NZS4692.1.



# RHEEM GAS STORAGE HOT WATER



## MAINS PRESSURE HOT WATER WHEN YOU NEED IT

Mains pressure gas storage water heaters deliver hot water instantly, as they keep a generous quantity stored hot and ready for your use. As they are at mains pressure, you can be sure of a strong flow of hot water, and the ability to service multiple showers or hot water needs at once. A choice of 4 and 5 Star models, in a range of capacities means there is a model for every budget and family. And should you ever run short, Rheem's high recovery models will have you back in hot water fast.

### WHY RHEEM GAS STORAGE?

**5 Star energy rating** models save you money.

**Designed for Australia's tough conditions**, using 70 years of experience in Australia.

**5, 7 or 10 year cylinder warranty** models available.<sup>8, 9, 10.</sup>

**Capacities to suit most family sizes** and hot water requirement, starting from 90 Litres.

**Fast hot water recovery** of up to 200 Litres per hour available.<sup>6</sup>

**High recovery Rheem Stellar models** for high-demand installations.

**Mains pressure water** delivery for steady, hot and strong hot water.

**Indoor models** also available.

**The ability to service multiple uses** at once without losing hot water pressure.

**Full technical support** through Rheem's National Service Network.

**Some models available in natural gas or propane**

### FACTORS TO CONSIDER:

#### Purchase, Installation and Running costs:

- Gas Storage systems are a relatively inexpensive solution to your hot water needs. There is a Rheem model to suit just about every budget. If replacing an existing gas unit, there is probably a Rheem model which can simply be installed in the same space.
- Higher efficiency Gas Storage water heaters cost less to run. As a guide, every extra energy-rating star represents approx 7% less gas usage, which means savings in energy bills.

#### Capacity:

- Gas Storage water heaters are rated by their storage capacity and also their "recovery rate". This is the quantity that can be fully reheated in one hour; the higher this rate the faster you can be back in hot water.

RHEEM STELLAR®	850330	850360	
Number of People			
Moderate Climate	2-5	3-6	
Cool Climate	2-4	3-5	
RHEEM 5 STAR	350265 & 354265		350295 & 354295
Number of People			
Moderate Climate	2-4	3-5	
Cool Climate	2-3	3-4	
RHEEM 4 STAR	347090	347135	347170
Number of People			
Moderate Climate	1-3	2-4	3-5
Cool Climate	1-2	2-3	3-4
RHEEM INDOOR	300135		300170
Number of People			
Moderate Climate	2-4	3-5	
Cool Climate	2-3	3-4	





Model Number:  
850 Series

### RHEEM STELLAR®

- 5 Star energy efficiency
- High recovery 200L/hour of hot water<sup>6</sup>
- Mains pressure to many taps at once
- 330L or 360L first hour capacity of hot water<sup>6</sup>
- Modern design to complement any home
- Manufactured in Australia
- 10 year cylinder warranty<sup>10</sup>



Model Number:  
350/354 Series

### RHEEM 5 STAR

- 5 Star energy efficiency
- Mains pressure to multiple taps
- Strong recovery
- 275L or 305L first hour capacity of hot water<sup>6</sup>
- Manufactured in Australia
- 7 year cylinder warranty<sup>9</sup>

### RHEEMPLUS®

- 50°C temperature limited models
- No tempering valve required<sup>11</sup>
- Adjustable to deliver 50°C at the first outlet (complying with AS 3498)



Model Number:  
347 Series

### RHEEM 4 STAR

- 90L, 135L and 170L capacities
- 4 Star energy efficiency
- Mains pressure
- Hi-temp thermostat, so you need less hot water<sup>††</sup>
- Manufactured in Australia
- 7 year cylinder warranty<sup>9</sup>

††Based on the most common temperature 43°C shower through a 9 litre/minute showerhead mixing with cold water at 10°C Rheem 4 star 347 Series with thermostat set at 73°C delivers 15-20% more continual shower time than the Rheem 3 Star 311 Series with thermostat set at 65°C.



Model Number:  
300 Series

### RHEEM INDOOR

- 135L and 170L capacities
- Mains pressure
- Manufactured in Australia
- 5 year cylinder warranty<sup>8</sup>



# RHEEM CONTINUOUS FLOW GAS HOT WATER



## CONTINUOUS HOT WATER WHEN YOU NEED IT

Continuous Flow gas water heaters deliver hot water that will never run out because they heat water when you need it, for as long as you need it. Continuous Flow water heaters work differently from storage water heaters, only heating on demand rather than heating and storing water until needed. Mounted to the wall and taking up less space, they are ideal for a compact home site or apartment.

6 Star energy efficient  
Rheem Continuous Flow  
for hot water that never  
runs out.



### CHOOSING THE RIGHT CAPACITY RHEEM FOR YOUR HOME

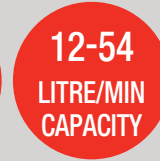
Your Rheem will be serving you for many years so it's important to choose the right capacity to meet your needs both now and as your family grows.

Factors to consider in determining your hot water needs:

- Number of bathrooms or people using hot water at once.
- Adults and children in the home (teenagers will use more hot water than young children).
- Dishwashers or washing machines connected, that use hot water at the same time.
- Will a large bathtub or spa-tub be filled using hot water?
- Your needs may also depend on the climate and water pressure. The following guide can assist you in selecting the right Rheem Continuous Flow model for your home.

Model	Rheem 12	Rheem 16	Rheem 20	Rheem 26	Rheem 27
Hot Water Flow Rate (at 25°C Temp Rise) <sup>11</sup>	12L/Min	16L/Min	20L/Min	26L/Min	27L/Min
No. of Bathrooms Moderate Climate	1	1.5	2.2	2.5	3
Cool Climate	1	1	1.5	2	2.5





## WHY RHEEM CONTINUOUS FLOW?

**Sizes to suit every home, apartment or family – 12L, 16L, 20L, 26L and 27L/minute capacities.**<sup>13</sup>

**6 Star energy rating** to save money and the environment.

**Designed for Australia's tough conditions**, combining international expertise with over 70 years of experience in Australia.

**10 year heat exchanger warranty.**<sup>15</sup>

**Flamesafe® overheat protection**, which automatically shuts down your heater should it overheat.

**Rheem EZ LINK®** delivers up to 54L/minute by linking 2 Rheem units to act as one, thereby doubling capacity.<sup>13</sup>

**Rheem Q Factor™** for rapid hot water every time, without the fluctuation when multiple taps demand hot water, which can occur with some Continuous Flow units.

**Family safety** with electronic control for accurate and reliable water temperature, reducing the risk of scalding.

**Electronic Remote Temperature Controllers** for accurate setting of the ideal and safest temperature.

**Solar ready** Rheem 70°C capable models are compatible with solar systems without the need for special fittings.<sup>16</sup>

**Factory pre-set 50°C models available**, requiring no tempering valve.<sup>14</sup>

**Full technical support** through Rheem's National Service Network.

**Compact size** for flexibility in design to suit every installation.

**Available to suit either Natural Gas or Propane**

**Internal 27L model available**, with matched flue system.

## WITH RHEEM YOU'RE IN CONTROL

Rheem delivers added safety by putting you in control of the hot water in your home.

**Rheem Standard and Deluxe Electronic Temperature Controllers** are optional on all models, allowing you to choose the exact temperature you need and to guard against scalding. Rheem Bathroom Controllers can be set up to 50°C. Deluxe Controllers also offer a "bath fill" mode, to turn off the water flow once the bath is filled.



Model Number:  
874627

## DESIGNED TO DISAPPEAR

Your Rheem Continuous Flow water heater can be neatly hidden away to save even more space:

**Pipe covers** in matching colour will conceal pipework.

**Recess boxes** will set your Rheem into the wall.

# RHEEM SOLAR HOT WATER



## SOLAR THAT SAVES

### WHY RHEEM SOLAR

**Energy efficient** – can save up to 65% to 70% of water heating energy consumption.<sup>17</sup>

**Reduces carbon emissions** – solar systems can save up to 2.0 to 2.9 tonnes of greenhouse gas emissions every year.<sup>20</sup>

**Minimise reliance on fossil fuels and protect yourself against future energy cost increases** – take advantage of Australia's abundant supply of sunlight, and reduce your reliance on expensive, non-renewable gas and electricity.<sup>21</sup>

**Complete range** – the Rheem solar range includes both split, ground mounted systems and complete roof mounted models in a variety of capacities from 160 – 410 litres.

**All weather protection** – Rheem Premier® Loline series feature unique, drain-back heat exchange technology, that prevents the solar system from freezing, or overheating during weather extremes.

**Booster options** – Rheem solar systems are available with electric or gas boosting, providing hot water during cloudy or rainy weather.

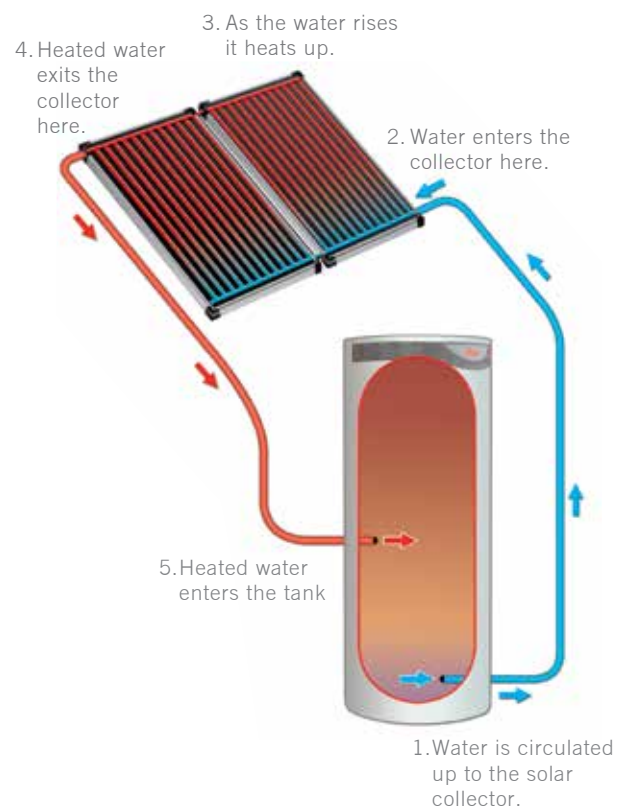
**Eligible for financial benefits** – A STCs financial benefit is available for installing solar water heating.<sup>22</sup>

Visit [www.rheem.com.au/rebates](http://www.rheem.com.au/rebates) to find out how many STCs apply to Rheem solar water heaters by zone and to download the Rheem STC Assignment form.



### HOW SOLAR WORKS

Solar water heaters work by absorbing energy from the sun's rays in the roof mounted solar collectors and transferring this to heat water stored in the tank. Ground mounted direct systems rely on an inbuilt circulator to push the water through the system, whereas roof mounted systems rely on a natural 'thermosiphon' effect. Water passes through the solar collector where it is heated, then moves out of the collector and into the tank. The tank gradually gets hotter until the water reaches its maximum stored temperature. Indirect systems use a special heating fluid, rather than water to absorb heat from the collectors. The heat is transferred to the water in the tank via a heat exchanger.





## GROUND MOUNTED SYSTEMS



Model Number:  
591270/2SP

### PREMIER LOLINE (Electric boosted)

- Indirect design with complete frost protection - ideal for even the coldest of climates.
- Features drain-back heat exchange technology, to maximise solar gain and protect against weather extremes
- Electric boost
- The split design reduces the structural load on your roof.



Model Number:  
596270/2SP

### PREMIER LOLINE (Gas boosted)

- Indirect design with complete frost protection - ideal for even the coldest of climates.
- Integrated or remote continuous flow gas booster provides backup during periods of low or no solar gain.
- The split design reduces the structural load on your roof.



Model Number:  
511325/2NPT

### LOLINE

- The multi-riser solar collectors efficiently absorb energy from the sun.
- Economical to purchase.
- Automatic, electronic controls maximise solar gain.
- Suitable with NPT or LCS collector

## ROOF MOUNTED SYSTEMS



Model Number:  
52H300/2SP

### PREMIER HILINE

- Features an indirect heat exchange design, providing reliable operation in any climate.
- Lightweight and durable stainless steel tank cylinder (52H Series).
- Space saving roof mounted installation.
- Suitable for use in areas subject to freezing conditions.
- Suitable for use with a wide range of water chemistries (52C Series)



Model Number:  
52S300/2NPT

### HILINE®

- Ideally suited to warmer climates.
- Does not require pumps and controllers.
- Relies on water moving through the solar collectors and into the tank using energy absorbed from the sun.

## SMALL-SCALE TECHNOLOGY CERTIFICATES

Small-scale Technology Certificates (STCs) provide a financial benefit to encourage the installation of solar water heaters provided under a Federal Government legislated scheme. STCs are available for eligible solar water heater installations.

One STC is equivalent to a megawatt hour (MWh) of electricity displaced by an eligible system, over a ten year period.

To find out more about eligibility criteria visit [www.rheem.com.au/rebates](http://www.rheem.com.au/rebates)

# RHEEM HEAT PUMP HOT WATER



## NEXT GENERATION SOLAR

Traditionally solar water heaters have proven themselves to be an energy efficient renewable water heating alternative to gas and electric systems. And while solar systems continue to be an efficient way to heat water, new heat pump water heating technology saves equivalent amounts of energy and green house gas emissions to electric boosted solar systems.

Works day and night,  
as they don't rely on  
daylight to operate.

### WHY RHEEM HEAT PUMP?

**Energy efficient** – cuts energy use and greenhouse gas emissions by up to 61%.<sup>25</sup>

**No solar collectors** – reduces structural load on your roof, and can be used where roof collectors aren't suitable.

**Replacement for electric water heaters** – uses the same plumbing and electrical connections as an electric water heater, making it an ideal upgrade from a standard electric water heater.

**2 piece design** – results in a reduced handling weight, making it easy to deliver and install on site.

**Back up element fitted in every model** – delivers hot water even on the coldest of winter nights.

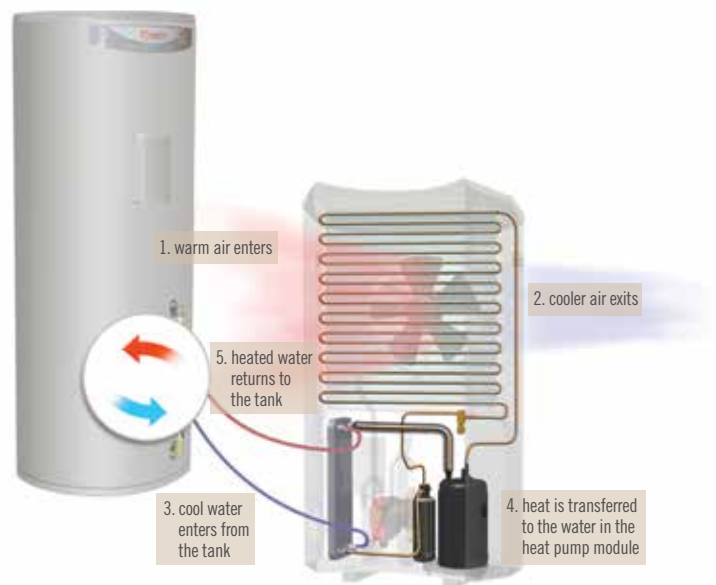
**Eligible for incentives** – Rheem Heat Pumps are eligible to receive Small-scale Technology Certificates (STCs).<sup>26</sup>

**When suitable, product can be connected to lower cost tariffs** – which helps to further reduce running costs.<sup>23, 27</sup>

**5 year cylinder warranty & 2 years on the sealed system.**<sup>24</sup>

### HOW A HEAT PUMP WORKS

Rheem Heat Pumps deliver hot water by efficiently utilising a free and abundant source of energy – the heat that is in the air around us. Refrigerant vapour compression technology enables the heat pump to intensify this heat, which is used to produce hot water. Rheem Heat Pumps are more efficient during warmer months, and will operate for less hours during the day than in colder months of the year. See illustration below.



When power is available, the Heat Pump heating cycle will continue until the tank is full of hot water.



SOLAR



2-6  
PEOPLE



310 or 325  
LITRE  
CAPACITY



5  
YEAR  
CYLINDER  
WARRANTY<sup>24</sup>



## THE RIGHT RHEEM FOR YOU



NEW &  
IMPROVED

Model Number:  
551325

### MPI-Series II

- Ideal upgrade for an electric storage water heater, featuring common plumbing and electrical connections.
- Can connect to economical extended off-peak tariffs for maximum savings on running costs.
- Whisper technology enables quieter operation.
- Heat Pump module is located well below the fence line, which keeps noise away from windows.
- Two piece interconnecting design allows for easy one-man installation.
- Suitable for warm and tropical climates. Not available in Tasmania.
- Available in RheemPlus® 50°C temperature models.



Model Number:  
551310

### HDi-310

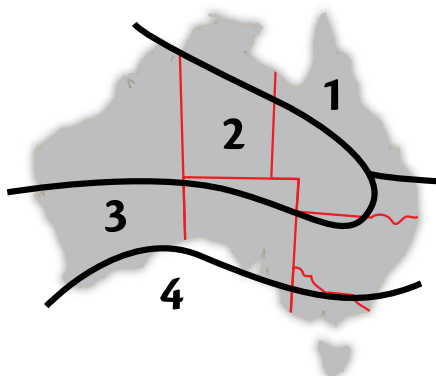
- Heavy duty model
- Top Down Heating delivers 60°C hot water, fast.
- High heating power means fast recovery to provide all the hot water you'll need.
- Interconnecting design fits onto a standard outdoor electric water heater footprint.
- Suitable for cold climates.  
**Please note Rheem does not recommend installation in Zone 5.**
- LEDs to indicate operating status

## SMALL-SCALE TECHNOLOGY CERTIFICATES

Small-scale Technology Certificates (STCs) provide a financial benefit to encourage the installation of solar and heat pump water heaters through a Federal Government legislated scheme.

This map shows the climate Zones within Australia which will define the number of STCs allocated to an eligible solar and heat pump water heater.

As of the 1st of November 2012, Zone 5 was added to the list of Zones eligible to create STC's for an eligible Air Sourced Heat Pump. Visit [www.cleanenergyregulator.gov.au/ret](http://www.cleanenergyregulator.gov.au/ret) for a list of postcodes by Zone, including zone 5.



To claim your STC entitlement, simply complete the STC Assignment form and attach the necessary documentation. Visit [www.rheem.com.au/rebates](http://www.rheem.com.au/rebates) to find out how many STCs apply to Rheem Solar Water Heaters and Heat Pumps by zone and to download the Rheem STC Assignment form.

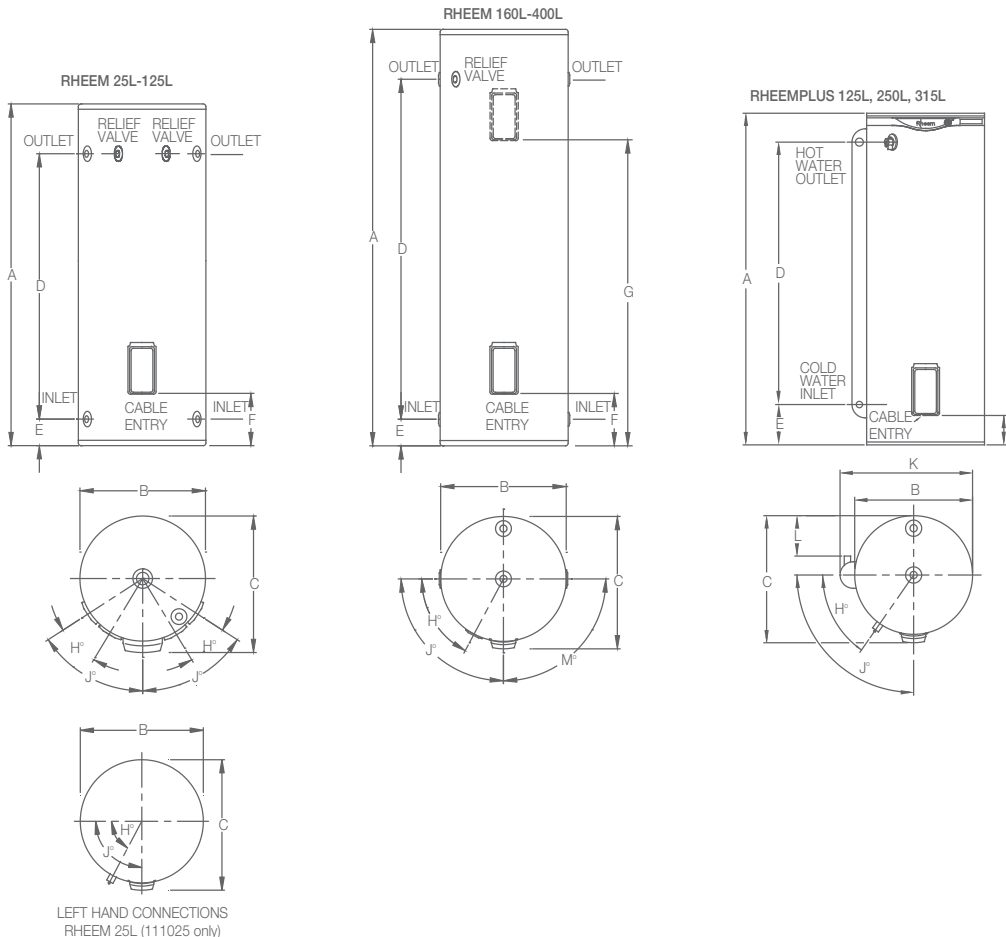


# RHEEM ELECTRIC STORAGE PRODUCT DATA



		Warranty				Model						
		25	25	45	50	80	125	160	250	315	400	
Rheem 191 Series Single Element	7 years <sup>1</sup>	111025 111025/P	191025 191025/P	191045	191050 191050/P	191080	191125	191160	–	–	–	
Rheem 192 Series Twin Element	7 years <sup>1</sup>	–	–	–	–	–	–	192160	–	–	–	
Rheem 491 Series Single Element	12 years <sup>2</sup>	–	–	–	–	–	–	–	491250	491315	491400	
Rheem 492 Series Twin Element	12 years <sup>2</sup>	–	–	–	–	–	–	–	492250	492315	492400	
RheemPlus® Single Element	7 years <sup>1</sup>	–	–	–	–	–	121125	121160	121250	121315	–	
Hot Water Delivery	Litres	18	25	47**	50	80	125	160	250	315	400	
Storage Capacity	Litres	25	29	50	53	90	135	165	270	324	412	
Boost Capacity Twin Element		–	–	–	–	–	–	45	50	50	90	
<b>Dimensions</b>	A	mm	390	430	670	695	945	1340	1610	1395	1640	1840
	B	mm	385	400	400	400*	480	480	480	640	640	690
	C	mm	420	436	436	436	515	515	515	680	680	735
	D	mm	130	106	347	397	702	1102	1332	1117	1317	1479
	E	mm	116	142	142	142	64	64	104	73	113	121
	F	mm	75	60	60	80	66	66	66	103	103	105
	G	mm	–	–	–	–	–	–	1081	988	1228	1323
	H	deg	26	26	26	26	24	24	23	32	32	30
	J	deg	65	64	59	59	60	60	58	88	88	83
	K	mm	–	–	–	–	–	545	–	705	705	–
	L	mm	–	–	–	–	–	183	183	262	262	–
M	deg	–	–	–	–	–	–	58	92	92	97	
Approx. Weight Empty	kg	18	19	25	26	36	49	55	76	97	118	

Rheem 111025, 121 Series RheemPlus® models have left hand connections only.  
 191, 192, 491 & 492 Series Rheem models have left and right hand connections.  
 160 to 400 models have TPR valve fitting on the left hand side only.  
 \*\* Rated hot water delivery is 40L in accordance with AS/NZS 4692.1. Actual hot water delivery is 47L when tested for AS/NZS 4692.1  
 Technical data is subject to change.



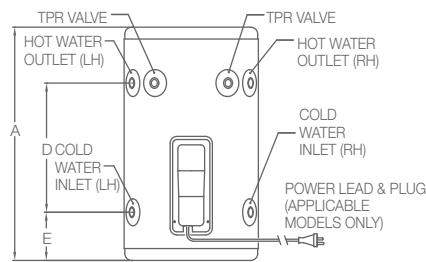


# RHEEM ELECTRIC STORAGE STELLAR STAINLESS STEEL

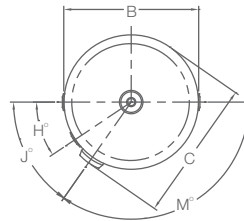
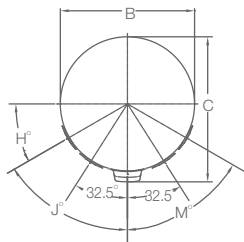
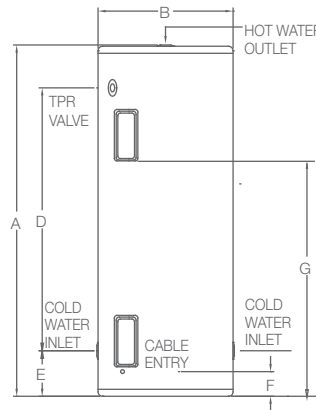
		Warranty <sup>3</sup>		Model				
Rheem Stellar® Stainless Steel			50	80	125	160	250	315
Single Element		12 years	4A1050	4A1080	4A1125	4A1160	4A1250	4A1315
Twin Element		12 years					4A2250	4A2315
Hot Water Delivery	Litres		50	80	125	160	250	315
Storage Capacity	Litres		54	80	135	165	270	324
Boost Capacity Twin Element			–	–	–		52	62
Better than MEPs by			4.8%	24%	17%	12%	19%	17%
<b>Dimensions</b>	A	mm	695	885	1295	1615	1440	1760
	B	mm	400	490	490	490	620	620
	C	mm	432	500	500	500	630	630
	D	mm	385	510	920	1240	990	1310
	E	mm	145	185	185	185	230	230
	F	mm	83	120	110	110	145	145
	G	mm	–	–	–	–	939	1207
	H	deg	30	25	25	25	30	30
	J	deg	60	55	55	55	60	60
M	mm	–	125	125	125	120	120	
Approx. Weight Empty	Kg		17	25	30	40	45	55

Technical data is subject to change.

STELLAR STAINLESS STEEL 50L



STELLAR STAINLESS STEEL 80L - 315L



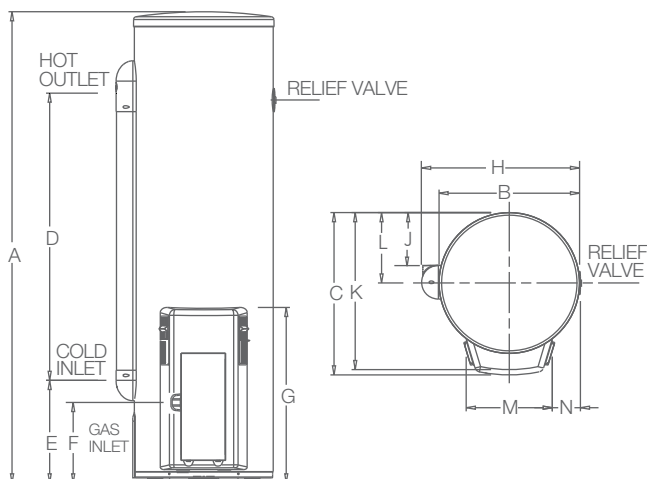
## Warranty and conditions

- Warranty: 7 year cylinder warranty, 3 year labour warranty on the cylinder, 1 year parts and labour warranty on all other components for domestic (non-commercial) installations. 7 year warranty applies to product manufactured after 1/1/2012. Conditions apply, see the Rheem warranty set out in the product's Owner's Guide or view it at [www.rheem.com.au/warranty](http://www.rheem.com.au/warranty)
- Warranty: 12 year cylinder warranty, 1 year labour warranty on the cylinder, 1 year parts and labour warranty on all other components for domestic (non-commercial) installations. Conditions apply, see the Rheem warranty set out in the product's Owner's Guide or view it at [www.rheem.com.au/warranty](http://www.rheem.com.au/warranty)
- Warranty: 12 year cylinder warranty, 3 year labour warranty on the cylinder, 1 year parts and labour warranty on all other components for domestic (non-commercial) installations. Conditions apply, see the Rheem warranty set out in the product's Owner's Guide or view it at [www.rheem.com.au/warranty](http://www.rheem.com.au/warranty)
- Performance varies by model. Refer to the Specification table for individual model performance.
- Up to 42% lighter than comparable Rheem vitreous enamel water heater models of the same capacity.

# RHEEM GAS STORAGE PRODUCT DATA



	Rheem 4 Star			Rheem 5 Star		Rheem Stellar®		Rheem Indoor	
	90	135	170	265	295	330	360	135	170
Model Number	347090	347135	347170	350265	350295	850330	850360	300135	300170
RheemPlus®	–	–	–	354265	354295	–	–	–	–
<b>Number of People:</b>									
Moderate Climate	1-3	2-4	3-5	2-4	3-5	2-5	3-6	2-4	3-5
Cool Climate	1-2	2-3	3-4	2-3	3-4	2-4	3-5	2-3	3-4
Warranty (years) <sup>8,9,10</sup>	7	7	7	7	7	10	10	5	5
Gas Type	Natural Gas	Natural Gas/Propane		Natural Gas <sup>12</sup>		Natural Gas <sup>12</sup>		NG/Propane	Natural Gas
GAS Energy Rating	4.0	4.0	4.1	5.3	5.3	5.2	5.0	3.0	2.8
Storage Capacity (Litres)	90	135	170	130	160	130	160	135	170
Recovery Rate (L/Hour@45°C) Natural Gas	100	113	113	145	145	200	200	120	126
First Hour Capacity (Litres)	190	248	283	275	305	330	360	255	296
Hourly Gas Consumption (MJ/Hr) Nat/Prop	25/na	27/26	27/26	30/na	30/na	42/na	42/na	30/30	30/na
<b>Dimensions mm</b>									
A	1158	1558	1858	1600	1900	1600	1900	1615	1915
B	422	422	422	490	490	485	485	425	425
C	502	502	502	556	556	558	558	500	500
D	588	988	1213	988	1213	988	1213	988	1213
E	328	328	403	332	407	328	409	328	403
F	298	298	298	302	302	298	298	297	297
G	1078	1478	1778	605	605	770	770	1490	1790
H (RheemPlus® Only)				545	545				
J (RheemPlus® Only)				182	182				
K	473	473	473	528	528	520	520	490	490
L	208	208	208	240	240	252	252	213	213
M				300	300	299	299		
N				95	95	93	93		
Weight Empty (kg)	48	59	69	75	85	70	80	54	63
Relief Valve Setting (kPa)		1400		1400		1400		1400	
Expansion Control Valve Setting (kPa)		1200		1200		1200		1200	
<b>Max Water Supply Pressure:</b>									
with ECV (kPa)		960		960		960		960	
without ECV (kPa)		1120		1120		1120		1120	
Water Connections		RP ¾ / 20		RP ¾ / 20		RP ¾ / 20		RP ¾ / 20	
Water Connections (RheemPlus)				G¾B					
Gas Connection		RP ½ / 15		RP ½ / 15		RP ½ / 15		RP ½ / 15	



## GLOSSARY OF TERMS

**Recovery rate** – the volume of water a heater can reheat in one hour. Measured as the volume of completely cold water (should the water heater be run completely out) that can be heated to 45°C over the cold water temperature.

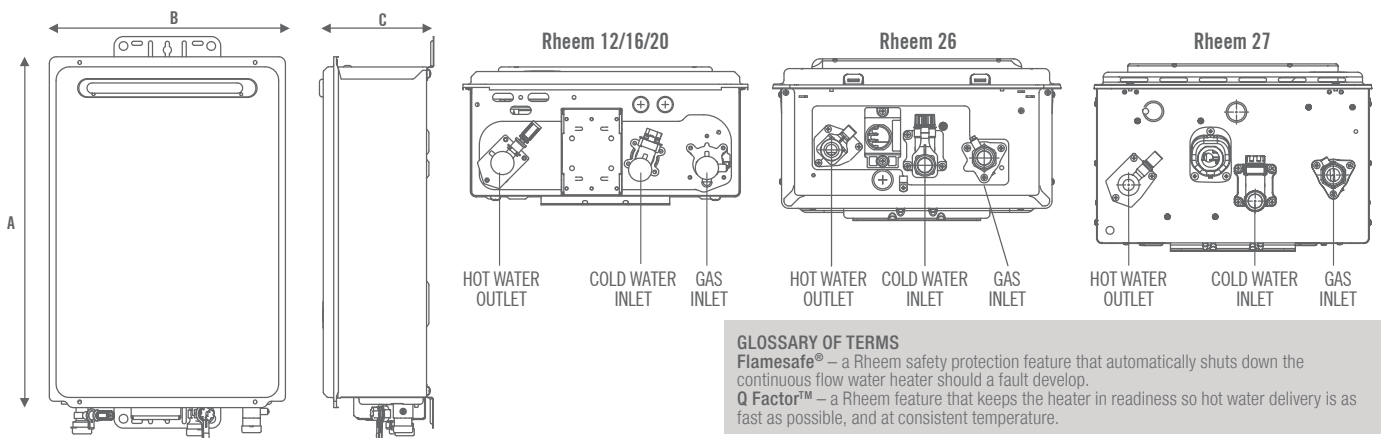
**First Hour Capacity** – a measure of water heater capacity that combines both the stored hot water volume & the hourly recovery rate (eg: if a water heater has storage capacity of 130L and a recovery rate of 200L/hour, its First Hour Capacity is 330L).

## Warranty and conditions

- Based on 45°C temperature rise.
- Guide only. Based on a cold water temperature of 15°C.
- Warranty: 5 year cylinder warranty, 3 year labour on cylinder, 1 year parts and labour warranty on all other components for domestic (non-commercial) installations. Conditions apply, see the Rheem warranty set out in the product's Owner's Guide or view it at [www.rheem.com.au/warranty](http://www.rheem.com.au/warranty)
- Warranty: 7 year cylinder warranty, 3 year labour on cylinder, 1 year parts and labour on all other components for domestic (non-commercial) installations. Conditions apply, see the Rheem warranty set out in the product's Owner's Guide or view it at [www.rheem.com.au/warranty](http://www.rheem.com.au/warranty)
- Warranty: 10 year cylinder and SuperFlue warranty, 5 year labour on cylinder and SuperFlue, 1 year parts and labour warranty on all other components for domestic (non-commercial) installations. Conditions apply, see the Rheem warranty set out in the product's Owner's Guide or view it at [www.rheem.com.au/warranty](http://www.rheem.com.au/warranty)
- Some applications require a tempering valve in accordance with AS/NZS 3500:4
- These models are not available in propane.

# RHEEM CONTINUOUS FLOW PRODUCT DATA

	Rheem 12		Rheem 16		Rheem 20		Rheem 26		Rheem 27		Rheem 27 Internal	
	876612	874612	876E16	874E16	876620	874620	876T26	874T26	876627	874627	866627	864627
Model Number	876612	874612	876E16	874E16	876620	874620	876T26	874T26	876627	874627	866627	864627
Maximum Temperature °C	50	60	50	60	50	60	50	60	50	60	50	60
<b>Number of Bathrooms</b>	1 – 1.5		1 – 1.5		1.5 – 2		2 – 2.5		2.5 – 3		2.5 – 3	
Gas Type	Natural Gas/Propane		Natural Gas/Propane		Natural Gas/Propane		Natural Gas/Propane		Natural Gas/Propane		Natural Gas/Propane	
GAS Energy Rating	6 Stars		6 Stars		6 Stars		6 Stars		6 Stars		6 Stars	
Flow Rate L/Min at 25°C Rise	12L/Min		16L/Min		20L/Min		26L/Min		27L/Min		27L/Min	
Minimum Operating Flow Rate	2.7L/Min		2.7L/Min		2.7L/Min		2.0L/Min		2.0L/Min		2.0L/Min	
Nominal Gas Consumption	94 MJ/Hr		126 MJ/Hr		153 MJ/Hr		199 MJ/Hr		205 MJ/Hr		205 MJ/Hr	
<b>Dimensions</b>												
A - Height mm	520		520		520		520		600		650	
B - Width mm	350		350		350		355		350		350	
C - Depth mm	160		160		160		187		215		240	
Depth – from wall to Hot Water Outlet	51		51		51		87		84		107	
Depth – from wall to Cold Water Inlet	43		43		43		68		64		86	
Depth – from wall to Gas Inlet	45		45		45		77		97		119	
Weight (empty)	18kg		18kg		18kg		16kg		23kg		24kg	
Max. Water Supply Pressure	1000kPa		1000kPa		1000kPa		1000kPa		1000kPa		1000kPa	
Min. Water Supply Pressure	140kPa		140kPa		140kPa		120kPa		140kPa		140kPa	
Cold Water Connection	R ¾		R ¾		R ¾		R ¾		R ¾		R ¾	
Hot Water Connection	R ¾		R ¾		R ¾		R ¾		R ¾		R ¾	
Gas Connection	R ¾		R ¾		R ¾		R ¾		R ¾		R ¾	
<b>Temperature Controllers</b>												
Kitchen	299850		299850		299850		299850		299850		299850	
Bathroom 1	299851		299851		299851		299851		299851		299851	
Bathroom 2	299852		299852		299852		299852		299852		299852	
<b>Deluxe Temperature Controllers</b>												
Kitchen	299858		299858		299858		299858		299858		299858	
Bathroom 1	299859		299859		299859		299859		299859		299859	
Bathroom 2	299860		299860		299860		299860		299860		299860	
<b>Accessories</b>												
Pipe Cover	299841		299841		299841		299426		299830		Rheem 27 Internal must only be installed using certified Rheem coaxial flue components. Do not use any other type of flue system.	
Recess Box	299842		299842		299842		299842		299831			
Rheem EZ Link Kit	290141		290141		290141		N/A		290141			
Wall Mount Security Kit	-		-		-		299868		299868			
Security Cage	299867		299867		299867		299867		299867			



**GLOSSARY OF TERMS**  
**Flamesafe®** – a Rheem safety protection feature that automatically shuts down the continuous flow water heater should a fault develop.  
**Q Factor™** – a Rheem feature that keeps the heater in readiness so hot water delivery is as fast as possible, and at consistent temperature.

**Warranty and conditions**

13. Guide only, subject to ambient water temperature and pressure, correct pipe sizing and appliance flow rates.  
 14. 50°C factory pre-set models supply hot water at a maximum 50°C at all outlets in accordance with AS3498. Some applications may require tempering, refer to AS 3500:4. 60°C models must have a tempering valve installed in accordance with AS 3500:4

15. Warranty: 10 Years parts and 3 Years labour on Heat Exchanger, 3 Years parts & labour on other components, when installed in a domestic dwelling. For all other installations, the warranty period is 1 Year parts and labour on Heat Exchanger and other components. Conditions apply, see the Rheem warranty set out in the product's Owner's Guide or view it at [www.rheem.com.au/warranty](http://www.rheem.com.au/warranty)  
 16. Applies to 70°C capable models when set to 70°C

# RHEEM SOLAR PRODUCT DATA

## RHEEM PREMIER® HILINE SOLAR HOT WATER HEATER - Electric and Gas boosted

MODEL - Electric Boosted MODEL - Gas Boosted	L	Vitreous Enamel Tank		Stainless Steel Tank			
		52C300/2NPT 52C300/2NPT-G	300	52H180/1SP 52H180/1SP-G	180	52H300/2SP 52H300/2SP-G	300
Storage Capacity	L	300		180		300	
Solar Collectors		2		1		2	
Booster Type		Electric	Gas -remote	Electric	Gas -remote	Electric	Gas -remote
Boost Capacity	L	150	27L/min	90	27L/min	150	27L/min
People Per Household		2-5	2-5	1-2	1-3	2-5	2-5
<b>Dimensions &amp; Specifications</b>							
Height (A)	mm	2475		2520		2520	
Width (B)	mm	2425		1495		2198	
Depth (C)	mm	510		563		563	
Weight Empty – Tank	kg	109		53		78	
Weight Full – Tank	kg	398		231		373	
Weight Empty – Solar Collectors	kg	66		50		100	
Weight Full – Solar Collectors	kg	70		54		108	

## RHEEM HILINE® SOLAR HOT WATER HEATER

MODEL	L	Gas Boosted		Electric Boosted	
		52S160/1NPT-G	52S300/1NPT-G	52S160/1NPT	52S300/2NPT
Storage Capacity	L	160	300	160	300
Solar Collectors	NPT200	1	1	1	2
Booster Type		Gas – Remote	Gas – Remote	Electric	Electric
Boost Capacity	L	24L/min	24L/min	80	160
People Per Household		1-3	2-5	1-2	2-5
<b>Dimensions &amp; Specifications</b>					
Height (A)	mm	2490	2490	2490	2490
Width (B)	mm	1140	2200	1140	2200
Depth (C)	mm	540	540	540	540
Weight Empty – Tank	kg	70	100	70	100
Weight Full – Tank	kg	230	400	230	400
Weight Empty – Solar Collectors	kg	39	78	39	78
Weight Full – Solar Collectors	kg	41	82	41	82

## RHEEM PREMIER® LOLINE SOLAR HOT WATER HEATER

MODEL	L	Gas Boosted		Electric Boosted	
		596270/1SP-G 596270/1T-G	596270/2SP-G 596270/2T-G	591270/2SP 591270/2T	591270/3SP 591270/3T
Storage Capacity	L	270	270	270	270
Solar Collectors		1	2	2	3
Booster Type		Gas – Integrated	Gas – Integrated	Electric	Electric
Boost Capacity	L	27L/min	27L/min	125	125
People Per Household		2-5	2-5	1-3	2-4
<b>Dimensions &amp; Specifications</b>					
Height (A)	mm	1787	1787	1775	1775
Width (B)	mm	650	650	650	650
Depth (C)	mm	890	890	682	682
Cold In (D)	mm	772	772	377	377
Hot Out (E)	mm	772	772	1078	1078
Weight Empty – Tank	kg	165	165	146	146
Weight Full – Tank	kg	435	435	416	416
Weight Empty – Solar Collectors	kg	50	100	100	150
Weight Full – Solar Collectors	kg	54	108	108	162

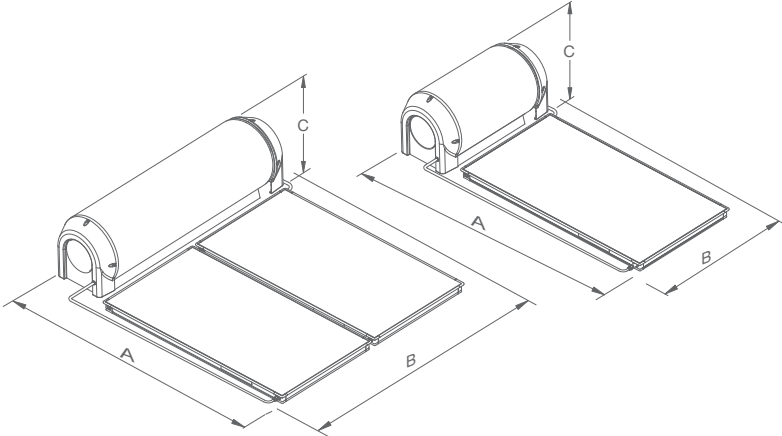
## RHEEM LOLINE SOLAR HOT WATER HEATER

MODEL	L	Gas Boosted			Electric Boosted		
		511271/2NPT-G 511271/2LCS-G*	511325/2NPT-G 511325/2LCS-G*	511410/3NPT-G 511410/3LCS-G*	511271/2NPT 511271/2LCS*	511325/2NPT 511325/2LCS*	511410/3NPT 511410/3LCS*
Storage Capacity	L	270	325	410	270	325	410
Solar Collectors		2	2	3	2	2	3
Booster Type		Gas – Remote	Gas – Remote	Gas – Remote	Electric	Electric	Electric
Boost Capacity	L	24L/min	24L/min	24L/min	140	170	220
People Per Household		2-5	2-6	3-7	1-3	2-4	3-6
<b>Dimensions &amp; Specifications</b>							
Height (A)	mm	1395	1640	1840	1395	1640	1840
Width (B)	mm	640	640	690	640	640	690
Depth (C)	mm	680	680	730	680	680	730
Cold In (D)	mm	73	73	81	73	73	81
Hot Out (E)	mm	1117	1357	1519	1117	1357	1519
Weight Empty – Tank	kg	71	87	111	71	87	111
Weight Full – Tank	kg	341	412	521	341	412	521
Weight Empty – Solar Collectors	kg	78	78	117	78	78	117
Weight Full – Solar Collectors	kg	82	82	123	82	82	123

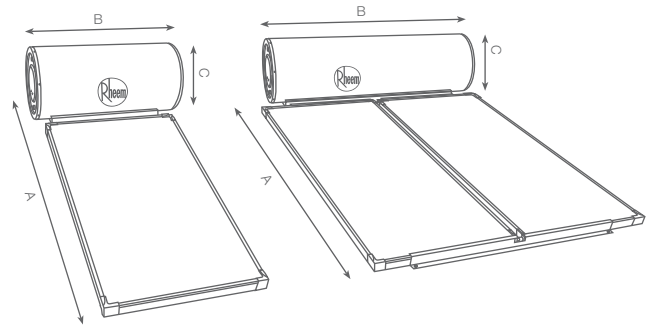
\*LCS Collectors are only available for installation in zones 3 & 4.



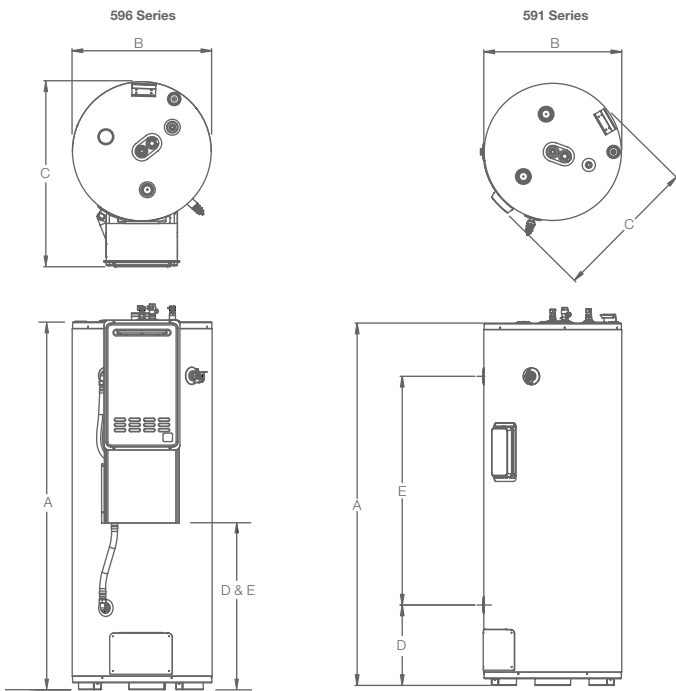
**RHEEM PREMIER® HILINE SOLAR HOT WATER HEATER**



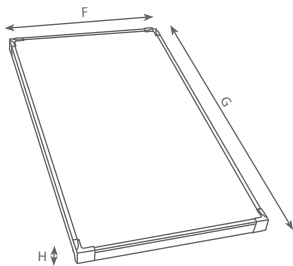
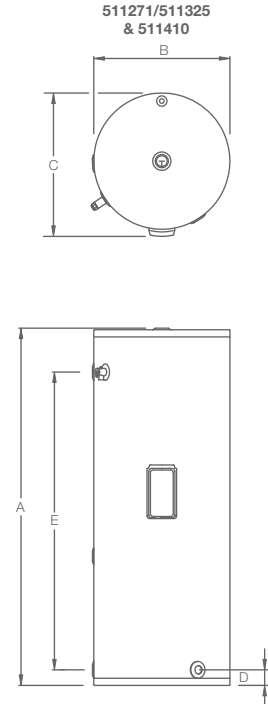
**RHEEM HILINE® SOLAR HOT WATER HEATER**



**RHEEM PREMIER® LOLINE SOLAR HOT WATER HEATER**



**RHEEM LOLINE SOLAR HOT WATER HEATER**



**SOLAR COLLECTOR MODELS**  
Dimensions and Specifications

	T200, LCS, NPT200	SPA2000
Width (F) mm	1023	1043
Height (G) mm	1941	1996
Depth (H) mm	80	82

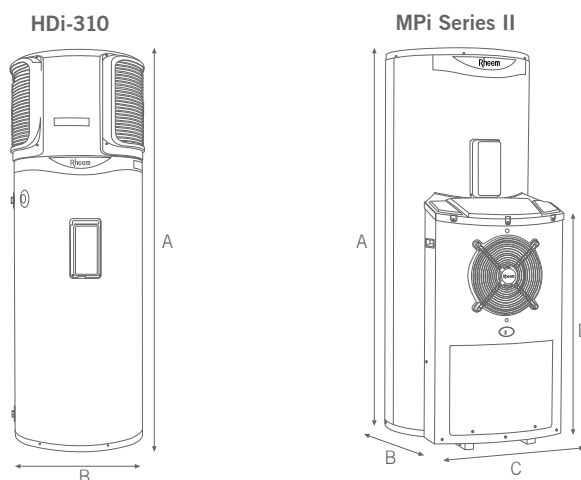


**Warranty and conditions**

- Energy savings of up to 65% to 70% based on Australian Government Approved TRNSYS simulation modelling of a Rheem Loline with 2xNPT200 collectors and using a medium load in Zone 3 and apply when replacing an electric water heater.
- Warranty: Rheem Premier® Loline/Loline/Hiline/Premier Hiline® (52C Model) 5 year supply on cylinder and solar collectors, 3 year labour on cylinder, 1 year labour on collectors, 1 year parts and labour. Applies to a single-family domestic dwelling installation only. Conditions apply, see the Rheem warranty set out in the product's Owners Guide or view it at [www.rheem.com.au/warranty](http://www.rheem.com.au/warranty)
- Warranty: Rheem Premier® Hiline (52H Models) 7 year supply on cylinder, 5 year supply on solar collectors, 3 year labour on cylinder, 1 year labour on collectors, 1 year parts including labour. Applies to a single-family domestic dwelling installation only. Conditions apply, see the Rheem warranty set out in the product's Owners Guide or view it at [www.rheem.com.au/warranty](http://www.rheem.com.au/warranty)
- Greenhouse gas emission savings based upon installing a Rheem Loline Solar Hot Water heater with 2xNPT200 collectors in Zone 3, when replacing an electric water heater.
- Any financial savings will vary depending upon type of Rheem Solar system installed, orientation and inclination of the solar collectors, type of water heater being replaced, hot water consumption and fuel tariff. Maximum financial savings off your hot water bill are achievable when replacing an electric water heater on continuous tariff.
- Eligibility criteria apply. STC Incentive/benefit scheme is subject to change without notice.

# RHEEM HEAT PUMP PRODUCT DATA

	HDi-310	MPi-325	
Product Code	551310	551325	554325
RheemPlus®			554325
Number of People (Moderate Climate)	3-6	2-5	2-5
<b>Dimensions</b>			
<b>Height (mm)</b>			
Module: D	N/A	1018	1018
Tank: A	1870	1631	1636
<b>Width B (mm)</b>	670	894	1006
<b>Depth C (mm)</b>	679	638	638
<b>Weight</b>			
Heat Pump module (kg)	48	42	42
Tank (kg)	87	88	90
<b>Technical</b>			
Capacity (L)	310	325	325
Power input (Watts)	1300	800	800
Refrigerant	R134a	R134a	R134a
Element Sizes (kW)	2.4 or 3.6	3.6	1.8, 2.4 or 3.6
Boost Capacity (L)	220	180	180
<b>Water Connections &amp; Settings</b>			
Inlet (RP)	¾ / 20	¾ / 20	¾ / 20
Outlet (RP)	¾ / 20	¾ / 20	¾ / 20
Tank Relief Valve Setting (kPa)	1000	1000	1000
ECV Setting (kPa)	850	850	850
<b>Maximum Mains Pressure</b>			
With ECV (kPa)	680	680	680
Without ECV (kPa)	800	800	800
Min. Water Supply Pressure (kPa)	200	200	200



#### Warranty and conditions

- The impact on an electricity account will depend on the tariff arrangement of the water heater being replaced and where you live. These Rheem Heat Pump water heaters (model dependant) are recommended for connection to either 24 hour continuous tariff or extended off peak (min 16 hours/day). Before purchase consult your energy provider for more information on cost comparisons.
- Warranty: 5 year supply on cylinder, 3 year labour on cylinder, 2 year supply on sealed system including labour, 1 year supply on all other parts including labour. Applies to a single family domestic dwelling installation only. Phone 131 031 for details. Conditions apply, see the Rheem warranty set out in the product's Owner's Guide or view it at [www.rheem.com.au/warranty](http://www.rheem.com.au/warranty)
- Energy and greenhouse gas emissions reduction of up to 64% based on Australian Government Approved TRNSYS simulation modelling and apply when replacing an electric water heater with a Rheem Heat Pump water heater in Zone 3.
- Assumes consumer eligibility for rebates. Eligibility criteria apply. Rebates and incentive schemes are subject to change or cancellation without notice.
- Any financial savings will vary depending upon type of Rheem Heat Pump installed, type of water heater being replaced, hot water consumption and fuel tariff. Maximum financial savings off your hot water bill are achievable when replacing an electric water heater on continuous tariff.