

# Jindara®

WOODHEATING



10 YEAR FIREBOX WARRANTY



FUNCTIONALITY MEETS INNOVATION  
- THE RESULT IS TIMELESS -



# JINDARA WOODHEATING

## QUALITY THROUGH INTEGRITY



25 years strong, the tradition continues with the outstanding features of the Jindara Outback Series. 100% Australian designed and manufactured, Jindara continues to be the choice for woodheating in Australia. All Jindara woodheaters are certified to the relevant Australian standards. Jindara offers quality, style and outstanding performance, exactly as you would expect from a true Australian legend.

Extensive research and testing have allowed Jindara to provide a superior selection of woodheating appliances for the discerning buyer. The Jindara woodheating family not only provides an inspired collection of woodheating appliances, they also offer 70 years of manufacturing experience in Australia. This peace of mind and security ensures that Jindara products will be supported by our Australia wide customer service network.

The Jindara Collection offers incredible diversity so there is a model to suit every application in heating your home. Stylish Insert models to replace that inefficient open fireplace or why not create your own special fireplace using the Jindara Zero Clearance Cabinet. The Jindara Freestanding Ranges offer many options from small radiant or fan forced to large capacity units perfect for open living areas. You can even have the option of heating two living areas with the Duplicity or Duo Through-Wall woodheaters. Reliability, performance and durability are what you will expect from the Jindara Outback, Paramount and Platinum ranges - this brochure details the many and varied options available.



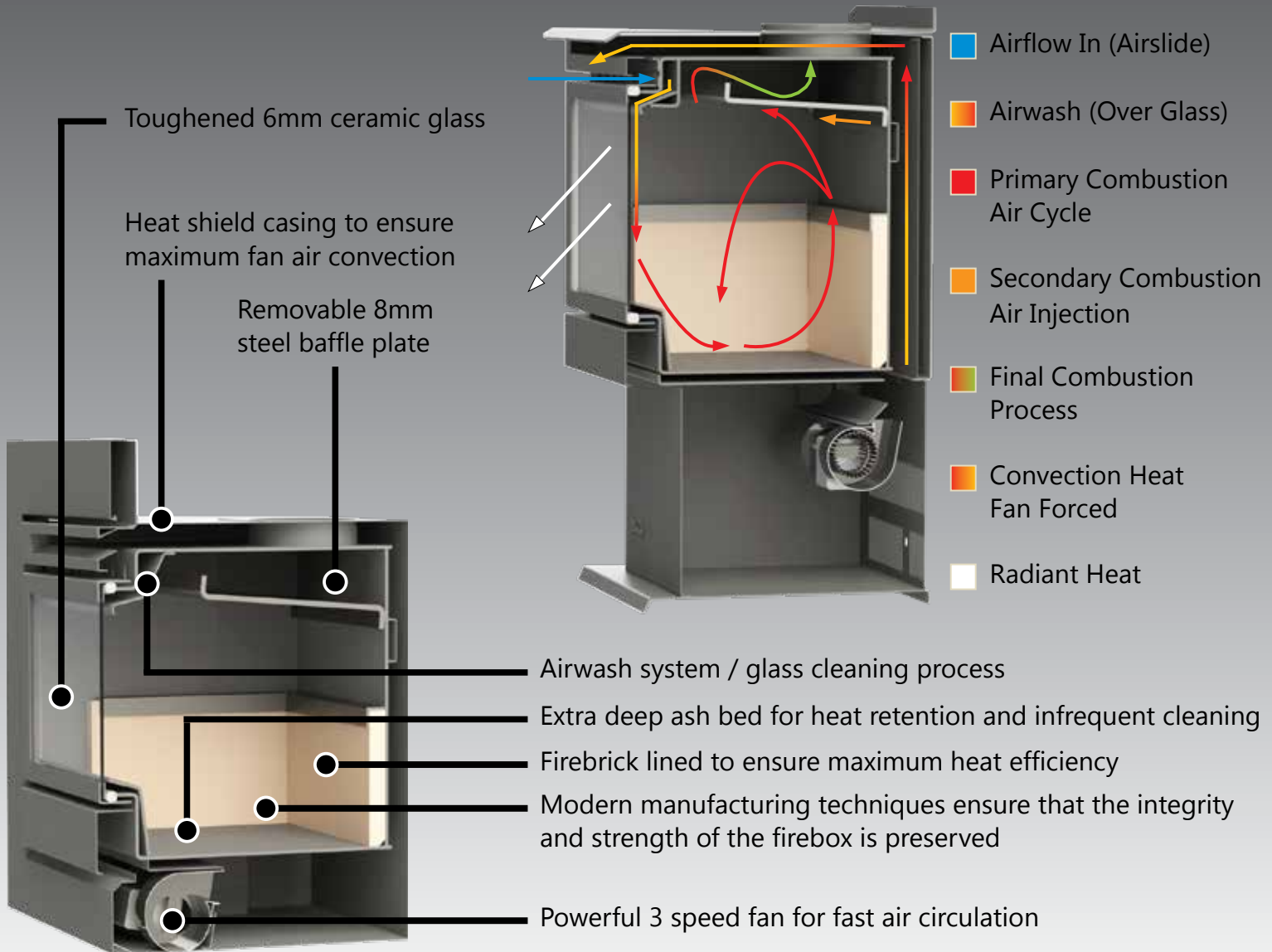
### CONTENTS

MADE IN AUSTRALIA	3	DUAL-DOOR RANGE	12
OUTBACK SERIES	4-6	DUAL-DOOR INSTALLATIONS	13
PARAMOUNT SERIES	7-8	ZERO CLEARANCE & ELEVATED	
PLATINUM SERIES	9-10	INSTALLATIONS	14
EXCITE & IMPRESS	11	SPECIFICATIONS	15-16

# JINDARA WOODHEATING

MADE IN AUSTRALIA

A Jindara woodheater allows the air to be heated prior to entering the firebox. This results in a more complete and lazier burn. It also allows for the fan to expel warm air at floor level in addition to above the door, resulting in a more even heating of your home.



## DID YOU KNOW?

Research conducted by the CSIRO found that firewood produces less greenhouse gas than all other domestic heating options. Australia's environmental standards relating to woodheaters are the strictest in the world and burning wood in a modern efficient woodheater, produces less carbon dioxide than what naturally decomposes on the forest floor.



# JINDARA WOODHEATING

## OUTBACK SERIES - FREESTANDING



### RIVERINA



**EFFICIENCY**  
69%<sup>†</sup>



**EMISSIONS**  
0.9 g/kg



**CAPACITY**  
180m<sup>2</sup>

- POWERFUL 3 SPEED FAN
- FIREBRICK LINED
- EXTRA DEEP ASH BED
- IDEAL FOR SMALL HOMES
- ALSO AVAILABLE AS AN INSERT



### BAROSSA



**EFFICIENCY**  
72%<sup>†</sup>



**EMISSIONS**  
1.4 g/kg



**CAPACITY**  
260m<sup>2</sup>

- POWERFUL 3 SPEED FAN
- FIREBRICK LINED
- EXTRA DEEP ASH BED
- IDEAL FOR MOST HOMES
- ALSO AVAILABLE AS AN INSERT



### BARWON



**EFFICIENCY**  
64%<sup>†</sup>



**EMISSIONS**  
1.3 g/kg



**CAPACITY**  
320m<sup>2</sup>

- POWERFUL 3 SPEED FAN
- FIREBRICK LINED
- EXTRA DEEP ASH BED
- LARGE FIREBOX FOR LONGER LOGS
- 7 INCH FLUE REQUIRED
- ALSO AVAILABLE AS AN INSERT

# JINDARA WOODHEATING

## OUTBACK SERIES - FREESTANDING

### SORRENTO



**EFFICIENCY**  
71%<sup>†</sup>



**EMISSIONS**  
1.0 g/kg



**CAPACITY**  
220m<sup>2</sup>

- POWERFUL 3 SPEED FAN  
- PANORAMIC BAY WINDOW VIEW

- 6mm FULLY WELDED STEEL FIREBOX

- FIREBRICK LINED

- PRE-HEATED PRIMARY AIR INTAKE



**EFFICIENCY**  
65%<sup>†</sup>



**EMISSIONS**  
1.3 g/kg



**CAPACITY**  
300m<sup>2</sup>

- POWERFUL 3 SPEED FAN  
- BAY WINDOW VIEW

- 6mm FULLY WELDED STEEL FIREBOX

- PRE-HEATED PRIMARY AIR INTAKE

- FIREBRICK LINED

- LARGE FIREBOX FOR LONGER LOGS



**EFFICIENCY**  
64%<sup>†</sup>



**EMISSIONS**  
2.4 g/kg



**CAPACITY**  
350m<sup>2</sup>

- POWERFUL 3 SPEED FAN  
- BAY WINDOW VIEW

- 6mm FULLY WELDED STEEL FIREBOX

- PRE-HEATED PRIMARY AIR INTAKE

- FIREBRICK LINED

- HUGE HEATING CAPACITY

- LARGE FIREBOX FOR LONGER LOGS

- 7 INCH FLUE REQUIRED

# JINDARA WOODHEATING

## OUTBACK SERIES - INSERT



### RIVERINA



#### EFFICIENCY

72%<sup>†</sup>



#### EMISSIONS

0.9 g/kg



#### CAPACITY

160m<sup>2</sup>

- POWERFUL 3 SPEED FAN
- FIREBRICK LINED
- EXTRA DEEP ASH BED
- GREAT SIZE FOR EXISTING FIREPLACES
- ALSO AVAILABLE AS A FREESTANDING



### BAROSSA



#### EFFICIENCY

67%<sup>†</sup>



#### EMISSIONS

1.5 g/kg



#### CAPACITY

240m<sup>2</sup>

- POWERFUL 3 SPEED FAN
- FIREBRICK LINED
- EXTRA DEEP ASH BED
- IDEAL SIZE FOR MOST HOMES
- ALSO AVAILABLE AS A FREESTANDING



### BARWON



#### EFFICIENCY

65%<sup>†</sup>



#### EMISSIONS

1.4 g/kg



#### CAPACITY

280m<sup>2</sup>

- POWERFUL 3 SPEED FAN
- EXTRA DEEP ASH BED
- FIREBRICK LINED
- LARGE FIREBOX FOR LONGER LOGS
- 7 INCH FLUE REQUIRED
- ALSO AVAILABLE AS A FREESTANDING

# JINDARA WOODHEATING

## PARAMOUNT SERIES - FREESTANDING



### PILBARA



**EFFICIENCY**  
66%<sup>†</sup>

- 6mm FULLY WELDED  
STEEL FIREBOX



**EMISSIONS**  
2.2 g/kg

- CAST IRON LINERS  
- POWERFUL 3 SPEED FAN  
- EXTRA DEEP ASH BED



**CAPACITY**  
120m<sup>2</sup>



### KIMBERLEY



**EFFICIENCY**  
69%<sup>†</sup>

- VERY LOW CLEARANCE  
REQUIREMENTS



**EMISSIONS**  
1.0 g/kg

- 6mm FULLY WELDED  
STEEL FIREBOX  
- CAST IRON LINERS  
- POWERFUL 3 SPEED FAN  
- EXTRA DEEP ASH BED



**CAPACITY**  
230m<sup>2</sup>

- ALSO AVAILABLE AS AN  
INSERT



### HAMERSLEY



**EFFICIENCY**  
64%<sup>†</sup>

- 6mm FULLY WELDED  
STEEL FIREBOX



**EMISSIONS**  
2.2 g/kg

- CAST IRON LINERS  
- POWERFUL 3 SPEED FAN  
- LARGE FIREBOX FOR  
LONGER LOGS



**CAPACITY**  
300m<sup>2</sup>

- EXTRA DEEP ASH BED  
- ALSO AVAILABLE AS AN  
INSERT



# JINDARA WOODHEATING

## PARAMOUNT SERIES - INSERT



### KIMBERLEY



**EFFICIENCY**  
65%<sup>†</sup>

- 6mm FULLY WELDED  
STEEL FIREBOX



**EMISSIONS**  
0.3 g/kg

- CAST IRON LINERS  
- POWERFUL 3 SPEED FAN  
- EXTRA DEEP ASH BED  
- ALSO AVAILABLE AS A  
FREESTANDING



**CAPACITY**  
200m<sup>2</sup>



### HAMERSLEY



**EFFICIENCY**  
60%<sup>†</sup>

- 6mm FULLY WELDED  
STEEL FIREBOX



**EMISSIONS**  
1.4 g/kg

- CAST IRON LINERS  
- POWERFUL 3 SPEED FAN  
- EXTRA DEEP ASH BED  
- LARGE FIREBOX FOR  
LONGER LOGS



**CAPACITY**  
260m<sup>2</sup>

- ALSO AVAILABLE AS A  
FREESTANDING



### FEDERATION



**EFFICIENCY**  
60%<sup>†</sup>

- OPTIONAL TRADITIONAL  
ALLOY FASCIA & TIMBER  
MANTLE



**EMISSIONS**  
1.4 g/kg

- 6mm FULLY WELDED  
STEEL FIREBOX  
- CAST IRON LINERS  
- POWERFUL 3 SPEED FAN  
- EXTRA DEEP ASH BED  
- LARGE FIREBOX FOR  
LONGER LOGS



**CAPACITY**  
260m<sup>2</sup>



# JINDARA WOODHEATING

## PLATINUM SERIES



### TILGA FREESTANDING



**EFFICIENCY**  
80%<sup>φ</sup>

- SLEEK, MODERN DESIGN
- 6mm FULLY WELDED STEEL FIREBOX
- CAST IRON LINERS



**EMISSIONS**  
0.9 g/kg

- POWERFUL 3 SPEED FAN WITH THERMOSTATIC CONTROL
- HIGH EFFICIENCY, LOW EMISSIONS



**CAPACITY**  
260m<sup>2</sup>

- AVAILABLE IN INSERT



### GRANGE FREESTANDING



**EFFICIENCY**  
76%<sup>φ</sup>

- SLEEK, MODERN DESIGN
- 6mm FULLY WELDED STEEL FIREBOX
- CAST IRON LINERS



**EMISSIONS**  
1.3 g/kg

- POWERFUL 3 SPEED FAN WITH THERMOSTATIC CONTROL
- HUGE HEATING CAPACITY



**CAPACITY**  
330m<sup>2</sup>

- LARGE FIREBOX FOR LONGER LOGS
- AVAILABLE IN INSERT



### TILGA MODULE



**EFFICIENCY**  
80%<sup>φ</sup>

- SLEEK, MODERN DESIGN
- POWERFUL 3 SPEED FAN WITH THERMOSTATIC CONTROL



**EMISSIONS**  
0.9 g/kg

- CAST IRON LINERS
- HIGH EFFICIENCY, LOW EMISSIONS
- OPTIONAL WOOD STORAGE BENCH



**CAPACITY**  
260m<sup>2</sup>

- AVAILABLE IN INSERT



### GRANGE MODULE



**EFFICIENCY**  
76%<sup>φ</sup>

- SLEEK, MODERN DESIGN
- POWERFUL 3 SPEED FAN WITH THERMOSTATIC CONTROL



**EMISSIONS**  
1.3 g/kg

- CAST IRON LINERS
- OPTIONAL WOOD STORAGE BENCH
- HUGE HEATING CAPACITY



**CAPACITY**  
330m<sup>2</sup>

- LARGE FIREBOX FOR LONGER LOGS
- AVAILABLE IN INSERT

# JINDARA WOODHEATING

## PLATINUM SERIES - INSERT



ZERO CLEARANCE INSERT  
FASCIA DEPTH 3mm (FLUSH FIT)



MASONRY INSERT  
FASCIA DEPTH 16mm

- SLEEK, MODERN DESIGN
- POWERFUL 3 SPEED FAN WITH THERMOSTATIC CONTROL
- CAST IRON LINERS
- HIGH EFFICIENCY, LOW EMISSIONS
- HUGE HEATING CAPACITY & LARGE FIREBOX FOR LONGER LOGS (GRANGE)
- AVAILABLE IN MODULAR & FREESTANDING

EFFICIENCY  
74%<sup>†</sup>

EMISSIONS  
1.0 g/kg

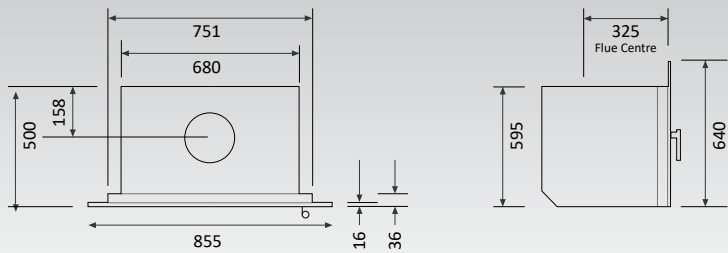
CAPACITY  
240m<sup>2</sup>

EFFICIENCY  
68%<sup>†</sup>

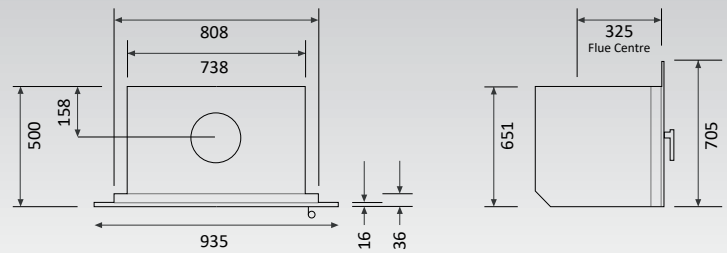
EMISSIONS  
1.4 g/kg

CAPACITY  
300m<sup>2</sup>

### TILGA MASONRY



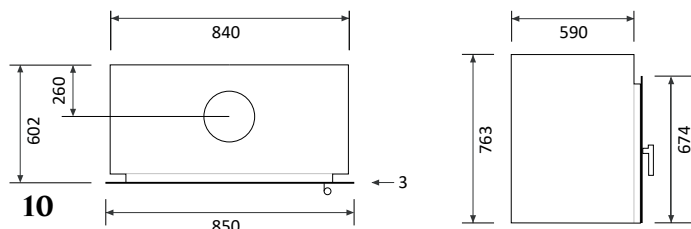
### GRANGE MASONRY



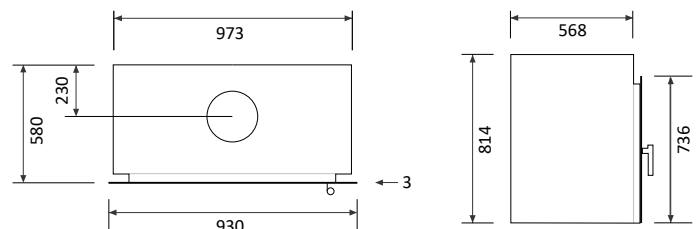
### SPECIFICATIONS

INSERT	CLEARANCE TO COMBUSTIBLES			MINIMUM HEARTH SIZE			
	SIDE UPRIGHTS FROM FASCIA EDGE	TO MANTLE SHELF FROM HEARTH	TO BREAST PLATE FROM HEARTH	WIDTH	DEPTH	THICKNESS	MM IN FRONT
TILGA MASONRY	55	1500 <sup>†</sup>	1410	945	550	18	550+
TILGA ZC	55	1500 <sup>†</sup>	1410	945	1185	18	550+
GRANGE MASONRY	35	1500 <sup>†</sup>	1410	1000	520	18	520+
GRANGE ZC	35	1500 <sup>†</sup>	1410	1000	1135	18	520+

### TILGA ZERO CLEARANCE



### GRANGE ZERO CLEARANCE



# JINDARA WOODHEATING

EXCITE & IMPRESS





# JINDARA WOODHEATING

## DUAL-DOOR RANGE



### DUO



**EFFICIENCY**  
64%<sup>†</sup>

- 2X POWERFUL 3 SPEED  
FANS



**EMISSIONS**  
2.4 g/kg

- FIREBRICK LINED  
- THROUGH-WALL  
INSTALLATION OPTIONS  
- LARGE FIREBOX FOR  
LONGER LOGS



**CAPACITY**  
280m<sup>2</sup>



### DUPLICITY



**EFFICIENCY**  
65%<sup>†</sup>

- 2X POWERFUL 3 SPEED FANS  
- 2X PANORAMIC BAY WINDOW  
VIEWS



**EMISSIONS**  
1.4 g/kg

- FIREBRICK LINED  
- THROUGH-WALL  
INSTALLATION OPTIONS  
- LARGE FIREBOX FOR LONGER  
LOGS



**CAPACITY**  
400m<sup>2</sup>

### SPECTRE



**EFFICIENCY** - TBC  
TBC%<sup>†</sup>



**EMISSIONS**  
TBC g/kg



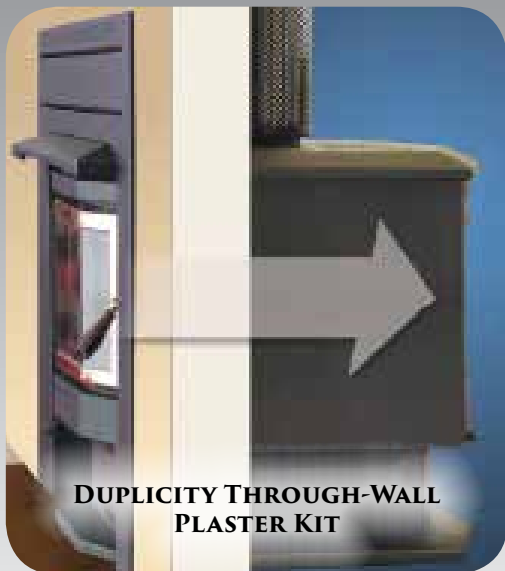
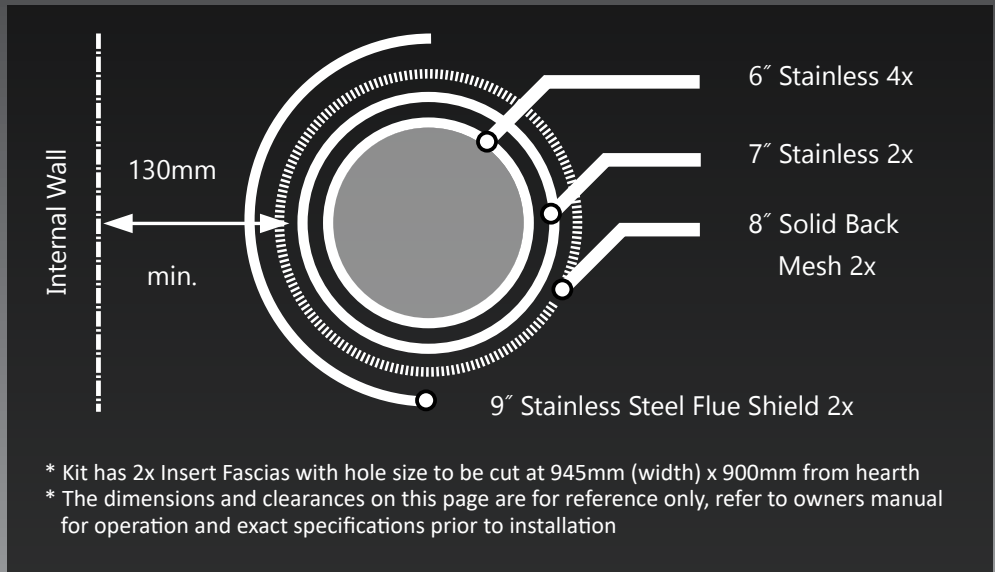
**CAPACITY**  
TBCm<sup>2</sup>

# JINDARA WOODHEATING

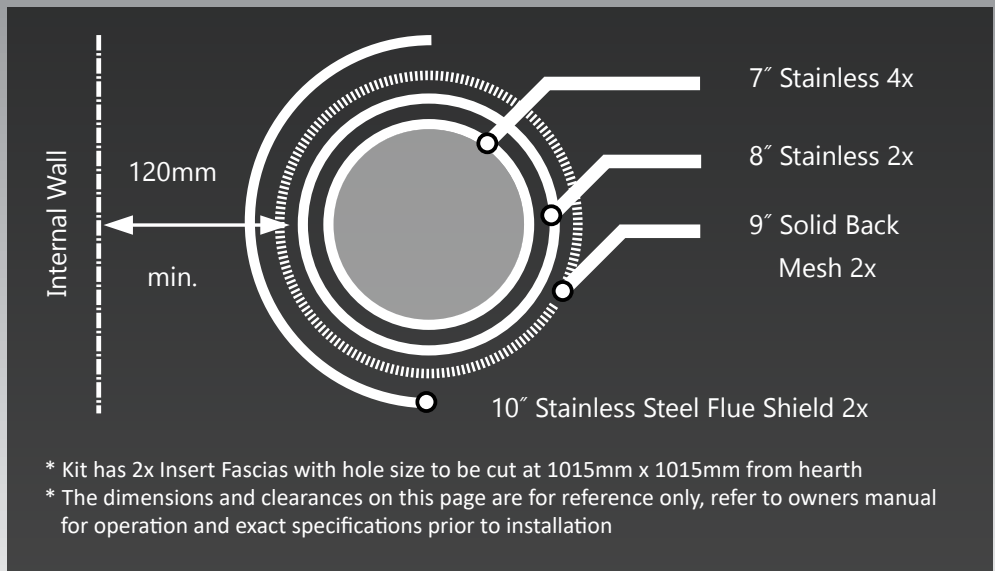
## DUAL-DOOR INSTALLATIONS



**DUO THROUGH-WALL  
PLASTER KIT**



**DUPLICITY THROUGH-WALL  
PLASTER KIT**



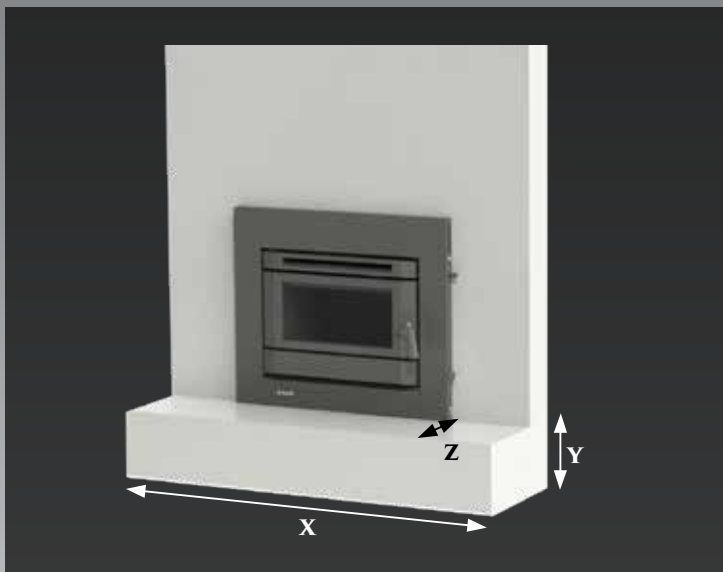
**THE DUO AND DUPLICITY WOODHEATERS HAVE BEEN DESIGNED TO BE INSTALLED INTO A COMBUSTIBLE OR MASONRY INTERNAL WALL WITHIN THE FAMILY HOME. BY ADDING A THROUGH-WALL KIT AND SPECIFIC FLUE KIT, YOU CAN HAVE THE BEST OF BOTH WORLDS.**

**RELAX AND ENJOY YOUR SPACE WHILE THE KIDS ARE KEPT WARM WHILE THEY ENJOY PLAYING GAMES IN THE ADJACENT ROOM. FOR FURTHER INFORMATION IN REGARDS TO THROUGH-WALL PLASTER OR MASONRY OPTIONS, PLEASE CONSULT YOUR LOCAL DEALER OR REFER TO THE RELEVANT INSTALLATION INSTRUCTIONS.**

# JINDARA WOODHEATING

## ZERO CLEARANCE & ELEVATED INSTALLATIONS

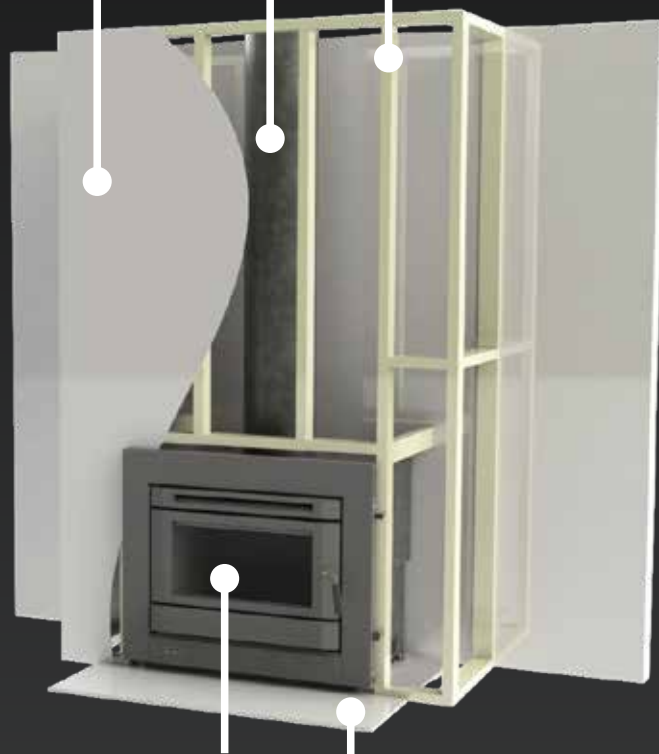
### ZERO CLEARANCE



Non-combustible material on front face of framing (min. 4mm thick)

Triple skin flue

Timber Framing



Jindara Insert woodheater of your choice

Non-combustible hearth (Full) Must extend 20mm beyond rear of Zero Clearance Cabinet

### ELEVATED

A MINIMUM HEARTH DEPTH OF 300MM CAN BE ACHIEVED BY RAISING THE WOODHEATER. USE THE FOLLOWING TABLE FOR REFERENCE (RAISED STEP TO BE NON-COMBUSTIBLE):

	REF	RIVERINA		BAROSSA		BARWON		TILGA		GRANGE	
<b>HEARTH WIDTH</b>	X	890mm (min.)		950mm (min.)		1280mm (min.)		TBCmm (min.)		TBCmm (min.)	
<b>HEARTH RAISED</b>	Y	0mm	155mm (min.)	0mm	132mm (min.)	0mm	172mm (min.)	0mm	TBCmm (min.)	0mm	TBCmm (min.)
<b>HEARTH DEPTH FROM FRONT OF FASCIA</b>	Z	530mm (min.)	300mm (min.)	510mm (min.)	300mm (min.)	585mm (min.)	300mm (min.)	300mm (min.)	530mm (min.)	530mm (min.)	530mm (min.)



# JINDARA WOODHEATING

## SPECIFICATIONS - OUTBACK & PARAMOUNT

### OUTBACK SERIES - FREESTANDING RANGE

Dimensions & Clearances	Overall Dimensions Width/Height/Depth			Back of Woodheater to Flue Centre			Clearance to Combustibles			Minimum Hearth Size Width/Depth/Thickness				Weight	Flue Size	Capacity	Emissions	Efficiency	Output	Log Length
	W	H	D	mm			Rear	Side	Corner	W	D	T	mm in front of unit							
Freestanding Models	W	H	D	mm			Rear	Side	Corner	W	D	T	mm in front of unit	kg	mm	m <sup>2</sup>	g/kg	% +	kW #	mm
Riverina	650	800	508	180			125*	325	150	890	960	12	400	130	150	180	0.9	69	14	340
Barossa	710	937	570	180			150*	400	175	950	1050	18	400	165	150	260	1.4	72	21	410
Barwon	782	1008	570	180			150*	450	200	1020	1100	20	450	185	175	320	1.3	65	24	410
Sorrento	655	745	610	170			150	450	125	900	1070	4.5	300	180	150	220	1.0	73	15	450
Pyrenees	775	795	595	165			100	330	50	1170	1020	4	300	205	150	300	1.3	65	17	450
Mallee	850	825	620	180			100	350	50	975	1070	7.5	400	220	175	350	2.4	64	22	480

\* Standard flue shield kit must be installed to achieve rear wall clearance (included in woodheater)

### OUTBACK SERIES - INSERT RANGE

Dimensions & Clearances	Overall Dimensions Width/Height/Depth			Rear Casing Dimensions			Clearance to Combustibles From Top of Appliance			Minimum Hearth Size				Weight	Flue Size	Capacity	Emissions	Efficiency	Output	Log Length
	W	H	Fascia Depth	mm			Side	To Mantle Shelf	To Breast Plate	Masonry Installation		ZCC Install	kg							
Insert Models	W	H	Fascia Depth	mm			Side	To Mantle Shelf	To Breast Plate	W	D	T	mm in front of unit	kg	mm	m <sup>2</sup>	g/kg	% +	kW #	Back of Fascia to Flue Centre
Riverina	882	750	42	570	595	365	50	350	290	890	530*	12	570* <sup>‡</sup>	120	150	160	0.9	72	14	232
Barossa	922	758	42	631	635	430	50	632	582	950	510*	12	550* <sup>‡</sup>	145	150	240	1.5	67	17	296
Barwon	994	828	42	700	706	430	40	882	732	1280	585*	25	625* <sup>‡</sup>	155	175	280	1.4	65	21	295

\* Minimum hearth depth in front of unit can be reduced by raising appliance above combustible materials (consult your local dealer or page 14 of this brochure)

<sup>‡</sup> The hearth must be installed beneath and in front of ZCC (refer to owners manual for exact specifications)

### PARAMOUNT SERIES - FREESTANDING RANGE

Dimensions & Clearances	Overall Dimensions Width/Height/Depth			Back of Woodheater to Flue Centre			Clearance to Combustibles			Minimum Hearth Size Width/Depth/Thickness				Weight	Flue Size	Capacity	Emissions	Efficiency	Output	Log Length
	W	H	D	mm			Rear	Side	Corner	W	D	T	mm in front of unit							
Freestanding Models	W	H	D	mm			Rear	Side	Corner	W	D	T	mm in front of unit	kg	mm	m <sup>2</sup>	g/kg	% +	kW #	mm
Pilbara	580	700	480	180			150	300	100	890	995	12	400	138	150	120	2.2	66	6	310
Kimberley	707	760	570	185			100	250	25	940	940	9	300	160	150	240	1.0	69	13	420
Hamersley	770	787	570	200			150	325	100	1020	1190	12	500	182	150	300	2.2	64	18	420

### PARAMOUNT SERIES - INSERT RANGE

Dimensions & Clearances	Overall Dimensions Width/Height/Depth			Rear Casing Dimensions			Clearance to Combustibles From Base of Appliance			Minimum Hearth Size				Weight	Flue Size	Capacity	Emissions	Efficiency	Output	Log Length
	W	H	D	mm			Side	To Mantle Shelf	To Breast Plate	Masonry Installation		ZCC Install	kg							
Insert Models	W	H	D	mm			Side	To Mantle Shelf	To Breast Plate	W	D	T	mm in front of unit	kg	mm	m <sup>2</sup>	g/kg	% +	kW #	Back of Fascia to Flue Centre
Kimberley	950	740	500	605	600	440	230#	1170	1080	940	550*	18	610* <sup>‡</sup>	144	150	220	0.3	65	12	290
Hamersley	1010	750	535	665	630	430	230#	1225	975	1000	600*	18	712* <sup>‡</sup>	170	150	260	1.4	60	16	257
Federation	1028	730	535	665	630	430	150#	1225	975	1000	600*	18	660* <sup>‡</sup>	170	150	260	1.4	60	16	300

# The Kimberley, Hamersley and Federation Insert side clearance to combustibles (i.e. timber mantle upright) is measured from either side of the firebox opening (Kimberley firebox opening = 540mm) (Hamersley and Federation firebox opening = 600mm)

\* Minimum hearth depth in front of unit can be reduced by raising appliance above combustible materials (consult your local dealer)

<sup>‡</sup> The hearth must be installed beneath and in front of Zero Clearance Cabinet (ZCC), refer to owners manual for exact specifications

# JINDARA WOODHEATING

## SPECIFICATIONS - PLATINUM & DUAL-DOOR

### PLATINUM SERIES - FREESTANDING RANGE

Freestanding Models	Flue Type	Clearance to Combustibles			Minimum Hearth Size			
		Rear	Side	Corner	Width	Depth	Thickness	mm in front
Tilga	Solid	155*	325	50	945	1000	9	300
Tilga	Perforated	50	325	75	945	895	9	300
Grange	Tilga	50	325	50	1000	895	9	300
Grange	Perforated	50	325	50	1000	895	9	300

### PLATINUM SERIES - MODULE RANGE

Modular Models	Flue Type	Clearance to Combustibles			Minimum Hearth Size			
		Rear	Side	Corner	Width	Depth	Thickness	mm in front
Tilga	Solid	155*	325	50	945	1000	9	300
Tilga	Perforated	50	325	75	945	895	9	300
Grange	Tilga	50	325	50	1000	895	9	300
Grange	Perforated	50	325	50	1000	895	9	300
Tilga Bench	Solid	155*	325	50	945	1005	9	300#
Tilga Bench	Perforated	50	325	75	945	900	9	300#
Grange Bench	Tilga	50	325	50	1000	900	9	300#
Grange Bench	Perforated	50	325	50	1000	900	9	300#

### FLUE TYPE DEFINITIONS

<b>Solid</b>	6" Triple Skin (Default) flue kit incorporating a non-perforated painted outer flue casing below ceiling level *Note: 180 deg. stainless steel flue shielding (900mm long included in woodheater) <i>must not</i> be used for the Tilga freestanding and module, but <i>must be</i> used for Grange freestanding and module
<b>Perforated</b>	6" Triple Skin (Default) flue kit incorporating a 180 deg. perforated painted outer flue casing with solid back below ceiling level Note: 180 deg. stainless steel flue shielding (900mm long included in woodheater) <i>must be</i> used between the first length of active flue and the outer perforated casing directly off the appliance
	# in front of bench

### DUAL-DOOR RANGE

Dimensions & Clearances	Overall Dimensions Width/Height/Depth			Back of Woodheater to Flue Centre mm	Clearance to Combustibles			Minimum Hearth Size Width/Depth/Thickness				Weight kg	Flue Size mm	Capacity m <sup>2</sup>	Emissions g/kg	Efficiency % †	Output kW ‡	Log Length mm
	W	H	D		Rear	Side	Corner	W	D	T	mm in front of unit							
<b>Dual-Door Models</b>																		
<b>Duo</b>	680	700	815	N/A	N/A	275	N/A	900	1750	6	500	220	150	280	2.4	67	16	710
<b>Duplicity</b>	810	792	810	N/A	N/A	350	N/A	1000	1800	12	500	240	175	400	1.4	67	24	670

Note: The dimensions and clearances are for reference only. Refer to the Owner's Manual for operation and exact specifications prior to installation. Colours of woodheaters shown are as close as four colour process printing methods allow. Zero clearance options are available for all Insert models, consult your local dealer for further information. Installation should be carried out by a qualified installer. Flue kits to be installed strictly in accordance with AS/NZS 2918. All fireplace Inserts must be installed in a brick masonry chimney or Jindara Zero Clearance Cabinet and be fully flued. Jindara woodheaters conform to AS/NZS 2918, AS/NZS 4012/4013, however Jindara accepts no liability whatsoever for interpretation. All heating capacities quoted are based on units tested with quality hardwood. Performance reduction may result due to large glassed areas, vaulted ceilings, drafts or insufficient insulation. Jindara Woodheating reserves the right to change specifications without notice. All dimensions and clearances are in millimetres (mm). \* Peak efficiency % quoted. † Mantle deflector required, refer to the relevant installation instructions. ‡ Minimum hearth depth in front of unit can be reduced by raising appliance above combustible materials.



AF Gason Pty Ltd  
Phone: 03 9763 3200  
Fax: 03 9763 0836  
jindara@gason.com.au  
www.jindara.com.au

Your Jindara Dealer

